

Service
Service
Service

First Generation



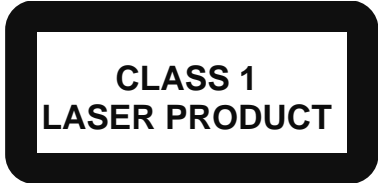
Service Manual

TABLE OF CONTENTS

	Page
Technical Specifications	1-2
Safety Instruction, Warning & Notes.....	1-3
Mechanical and Dismantling Instructions	2
Software Version & Upgrades, Region Code Change.....	3
Trouble Shooting Chart	4
Set Wiring Diagram	5
Electrical Diagrams and PCB layouts.....	6
Set Mechanical Exploded view & Parts List	7
Revision List	8

This service manual is for BDP3100/5100 First Generation model, which is different from the second generation BDP3100/5100 model.

For First Generation model, the serial number begins with KX 1A xxxxxxxxxx and SM 1A xxxxxxxxxx..
(Chipset Type: MT8530FEFG, OPU: SANYO 412V)



© Copyright 2010 Philips Consumer Electronics B.V. Eindhoven, The Netherlands
All rights reserved. No part of this publication may be reproduced, stored in a retrieval system or transmitted, in any form or by any means, electronic, mechanical, photocopying, or otherwise without the prior permission of Philips.

3141 785 34615

Version 1.5



PHILIPS

1. Technical Specifications, Directions for Use

Index of this chapter:

[1.1 Technical Specifications](#)

[1.2 Directions for Use](#)

Notes:

- Figures can deviate due to the different set executions.
- Specifications are indicative (subject to change).

1.1 Technical Specifications

For on-line product support please use the following website:

http://www.p4c.philips.com/cgi-bin/dcbint/cpproduct_selector.pl

Here is product information available, as well as getting started, user manuals, frequently asked questions and software & drivers.

1.2 Directions for Use

You can download this information from the following websites:

<http://www.philips.com/support>

<http://www.p4c.philips.com>

2. Safety Instructions, Warnings, Notes, and Abbreviation List

Index of this chapter:

[2.1 Safety Instructions](#)

[2.2 Warnings](#)

[2.3 Notes](#)

[2.4 Abbreviation List](#)

2.1 Safety Instructions

Safety regulations require the following **during** a repair:

- Connect the set to the Mains/AC Power via an isolation transformer (> 800 VA).
- Replace safety components, indicated by the symbol ▲, only by components identical to the original ones. Any other component substitution (other than original type) may increase risk of fire or electrical shock hazard.

Safety regulations require that **after** a repair, the set must be returned in its original condition. Pay in particular attention to the following points:

- Route the wire trees correctly and fix them with the mounted cable clamps.
- Check the insulation of the Mains/AC Power lead for external damage.
- Check the strain relief of the Mains/AC Power cord for proper function.
- Check the electrical DC resistance between the Mains/AC Power plug and the secondary side (only for sets that have a Mains/AC Power isolated power supply):
 1. Unplug the Mains/AC Power cord and connect a wire between the two pins of the Mains/AC Power plug.
 2. Set the Mains/AC Power switch to the "on" position (keep the Mains/AC Power cord unplugged!).
 3. Measure the resistance value between the pins of the Mains/AC Power plug and the metal shielding of the tuner or the aerial connection on the set. The reading should be between 4.5 MΩ and 12 MΩ.
 4. Switch "off" the set, and remove the wire between the two pins of the Mains/AC Power plug.
- Check the cabinet for defects, to prevent touching of any inner parts by the customer.

2.2 Warnings

- All ICs and many other semiconductors are susceptible to electrostatic discharges (ESD ⚡). Careless handling during repair can reduce life drastically. Make sure that, during repair, you are connected with the same potential as the mass of the set by a wristband with resistance. Keep components and tools also at this same potential.
- Be careful during measurements in the high voltage section.
- Never replace modules or other components while the unit is switched "on".
- When you align the set, use plastic rather than metal tools. This will prevent any short circuits and the danger of a circuit becoming unstable.

2.3 Notes

2.3.1 General

- Measure the voltages and waveforms with regard to the chassis (= tuner) ground (⊥), or hot ground (↕), depending on the tested area of circuitry. The voltages and waveforms shown in the diagrams are indicative. Measure them in the Service Default Mode (see chapter 5) with a colour bar signal and stereo sound (L: 3 kHz, R: 1 kHz unless stated otherwise) and picture carrier at 475.25 MHz for PAL, or 61.25 MHz for NTSC (channel 3).

- Where necessary, measure the waveforms and voltages with (⊥) and without (↕) aerial signal. Measure the voltages in the power supply section both in normal operation (⊕) and in stand-by (⊖). These values are indicated by means of the appropriate symbols.

2.3.2 Schematic Notes

- All resistor values are in ohms, and the value multiplier is often used to indicate the decimal point location (e.g. 2K2 indicates 2.2 kΩ).
- Resistor values with no multiplier may be indicated with either an "E" or an "R" (e.g. 220E or 220R indicates 220 Ω).
- All capacitor values are given in micro-farads ($\mu = \times 10^{-6}$), nano-farads ($n = \times 10^{-9}$), or pico-farads ($p = \times 10^{-12}$).
- Capacitor values may also use the value multiplier as the decimal point indication (e.g. 2p2 indicates 2.2 pF).
- An "asterisk" (*) indicates component usage varies. Refer to the diversity tables for the correct values.
- The correct component values are listed in the Spare Parts List. Therefore, always check this list when there is any doubt.

2.3.3 BGA (Ball Grid Array) ICs

Introduction

For more information on how to handle BGA devices, visit this URL: www.atyourservice.ce.philips.com (needs subscription, not available for all regions). After login, select "Magazine", then go to "Repair downloads". Here you will find Information on how to deal with BGA-ICs.

BGA Temperature Profiles

For BGA-ICs, you **must** use the correct temperature-profile, which is coupled to the 12NC. For an overview of these profiles, visit the website www.atyourservice.ce.philips.com (needs subscription, but is not available for all regions)

You will find this and more technical information within the "Magazine", chapter "Repair downloads".

For additional questions please contact your local repair help desk.

2.3.4 Lead-free Soldering

Due to lead-free technology some rules have to be respected by the workshop during a repair:

- Use only lead-free soldering tin Philips SAC305 with order code 0622 149 00106. If lead-free solder paste is required, please contact the manufacturer of your soldering equipment. In general, use of solder paste within workshops should be avoided because paste is not easy to store and to handle.
- Use only adequate solder tools applicable for lead-free soldering tin. The solder tool must be able:
 - To reach a solder-tip temperature of at least 400°C.
 - To stabilize the adjusted temperature at the solder-tip.
 - To exchange solder-tips for different applications.
- Adjust your solder tool so that a temperature of around 360°C - 380°C is reached and stabilized at the solder joint. Heating time of the solder-joint should not exceed ~ 4 sec. Avoid temperatures above 400°C, otherwise wear-out of tips will increase drastically and flux-fluid will be destroyed. To avoid wear-out of tips, switch "off" unused equipment or reduce heat.
- Mix of lead-free soldering tin/parts with leaded soldering tin/parts is possible but PHILIPS recommends strongly to **avoid** mixed regimes. If this cannot be avoided, carefully clear the solder-joint from old tin and re-solder with new tin.

Safety Instructions, Warnings, Notes, and Abbreviation List

2.3.5 Alternative BOM identification

It should be noted that on the European Service website, "Alternative BOM" is referred to as "Design variant".

The **third digit** in the serial number (example: KX2B0835000001) indicates the number of the alternative B.O.M. (Bill Of Materials) that has been used for producing the specific AV set. In general, it is possible that the same AV model on the market is produced with e.g. two different types of display, coming from two different suppliers. This will then result in sets which have the same CTN (Commercial Type Number; e.g. MCM394/12) but which have a different B.O.M. number.

Also, it is possible that same model on the market is produced with two production centers, however their partslist is the same. In such case, no alternative B.O.M. will be created.

By looking at the third digit of the serial number, one can identify which B.O.M. is used for the set he is working with. If the third digit of the serial number contains the number "1" (example: KX1B033500001), then the set has been manufactured according to B.O.M. number 1. If the third digit is a "2" (example: KX2B033500001), then the set has been produced according to B.O.M. no. 2. This is important for ordering the correct spare parts!
For the third digit, the numbers 1...9 and the characters A...Z can be used, so in total: 9 plus 26= 35 different B.O.M.s can be indicated by the third digit of the serial number.

Identification: The bottom line of a type plate gives a 14-digit serial number. Digits 1 and 2 refer to the production centre (e.g. LM is Arts), digit 3 refers to the B.O.M. code, digit 4 refers to the Service version change code, digits 5 and 6 refer to the production year, and digits 7 and 8 refer to production week (in example below it is 2008 week 50). The 6 last digits contain the serial number.



Figure 2-1 Serial number (example)

2.3.6 Module Level Repair (MLR) or Component Level Repair (CLR)

If a board is defective, consult your repair procedure to decide if the board has to be exchanged or if it should be repaired on component level.

If your repair procedure says the board should be exchanged completely, do not solder on the defective board. Otherwise, it cannot be returned to the O.E.M. supplier for back charging!

2.3.7 Practical Service Precautions

- **It makes sense to avoid exposure to electrical shock.** While some sources are expected to have a possible dangerous impact, others of quite high potential are of limited current and are sometimes held in less regard.
- **Always respect voltages.** While some may not be dangerous in themselves, they can cause unexpected reactions that are best avoided. Before reaching into a powered TV set, it is best to test the high voltage insulation. It is easy to do, and is a good service precaution.

2.4 Abbreviation List

0/6/12	SCART switch control signal on AV board. 0 = loop through (AUX to TV), 6 = play 16 : 9 format, 12 = play 4 : 3 format
2DNR	Spatial (2D) Noise Reduction
3DNR	Temporal (3D) Noise Reduction
AARA	Automatic Aspect Ratio Adaptation: algorithm that adapts aspect ratio to remove horizontal black bars; keeps the original aspect ratio
ACI	Automatic Channel Installation: algorithm that installs TV channels directly from a cable network by means of a predefined TXT page
ADC	Analogue to Digital Converter
AFC	Automatic Frequency Control: control signal used to tune to the correct frequency
AGC	Automatic Gain Control: algorithm that controls the video input of the feature box
AM	Amplitude Modulation
ANR	Automatic Noise Reduction: one of the algorithms of Auto TV
AP	Asia Pacific
AR	Aspect Ratio: 4 by 3 or 16 by 9
ASF	Auto Screen Fit: algorithm that adapts aspect ratio to remove horizontal black bars without discarding video information
ATSC	Advanced Television Systems Committee, the digital TV standard in the USA
ATV	See Auto TV
Auto TV	A hardware and software control system that measures picture content, and adapts image parameters in a dynamic way
AV	External Audio Video
AVC	Audio Video Controller
AVIP	Audio Video Input Processor
B/G	Monochrome TV system. Sound carrier distance is 5.5 MHz
BLR	Board-Level Repair
BTSC	Broadcast Television Standard Committee. Multiplex FM stereo sound system, originating from the USA and used e.g. in LATAM and AP-NTSC countries
B-TXT	Blue TeleteXT
C	Centre channel (audio)
CEC	Consumer Electronics Control bus: remote control bus on HDMI connections
CL	Constant Level: audio output to connect with an external amplifier
CLR	Component Level Repair
COLUMBUS	COLOR LUMinance Baseband Universal Sub-system
ComPair	Computer aided rePair
CP	Connected Planet / Copy Protection
CSM	Customer Service Mode
CTI	Color Transient Improvement: manipulates steepness of chroma transients
CVBS	Composite Video Blanking and Synchronization
DAC	Digital to Analogue Converter
DBE	Dynamic Bass Enhancement: extra low frequency amplification
DDC	See "E-DDC"

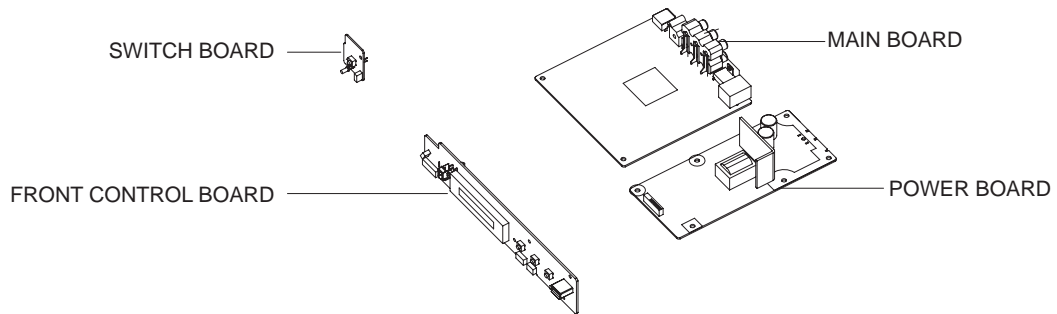
Safety Instructions, Warnings, Notes, and Abbreviation List

D/K	Monochrome TV system. Sound carrier distance is 6.5 MHz		lines. The fields are written in "pairs", causing line flicker.
DFI	Dynamic Frame Insertion	IR	Infra Red
DFU	Directions For Use: owner's manual	IRQ	Interrupt Request
DMR	Digital Media Reader: card reader	ITU-656	The ITU Radio communication Sector (ITU-R) is a standards body subcommittee of the International Telecommunication Union relating to radio communication. ITU-656 (a.k.a. SDI), is a digitized video format used for broadcast grade video.
DMSD	Digital Multi Standard Decoding		Uncompressed digital component or digital composite signals can be used.
DNM	Digital Natural Motion		The SDI signal is self-synchronizing, uses 8 bit or 10 bit data words, and has a maximum data rate of 270 Mbit/s, with a minimum bandwidth of 135 MHz.
DNR	Digital Noise Reduction: noise reduction feature of the set		
DRAM	Dynamic RAM		
DRM	Digital Rights Management		
DSP	Digital Signal Processing		
DST	Dealer Service Tool: special remote control designed for service technicians		
DTCP	Digital Transmission Content Protection; A protocol for protecting digital audio/video content that is traversing a high speed serial bus, such as IEEE-1394	ITV	Institutional TeleVision; TV sets for hotels, hospitals etc.
DVB-C	Digital Video Broadcast - Cable	JOP	Jaguar Output Processor
DVB-T	Digital Video Broadcast - Terrestrial	LS	Last Status; The settings last chosen by the customer and read and stored in RAM or in the NVM. They are called at start-up of the set to configure it according to the customer's preferences
DVD	Digital Versatile Disc		Latin America
DVI(-d)	Digital Visual Interface (d= digital only)		Liquid Crystal Display
E-DDC	Enhanced Display Data Channel (VESA standard for communication channel and display). Using E-DDC, the video source can read the EDID information from the display.	LATAM	Light Emitting Diode
EDID	Extended Display Identification Data (VESA standard)	LCD	Monochrome TV system. Sound carrier distance is 6.5 MHz. L' is Band I, L is all bands except for Band I
EEPROM	Electrically Erasable and Programmable Read Only Memory	LED	Local REgression approximation
EMI	Electro Magnetic Interference	L/L'	noise reduction
EPLD	Erasable Programmable Logic Device		LG.Philips LCD (supplier)
EU	Europe	LORE	Loudspeaker
EXT	EXTernal (source), entering the set by SCART or by cinches (jacks)	LPL	Low Voltage Differential Signalling
FBL	Fast BLanking: DC signal accompanying RGB signals	LS	Mega bits per second
FDS	Full Dual Screen (same as FDW)	LVDS	Monochrome TV system. Sound carrier distance is 4.5 MHz
FDW	Full Dual Window (same as FDS)	Mbps	Microprocessor without Interlocked Pipeline-Stages; A RISC-based microprocessor
FLASH	FLASH memory	M/N	MIPS
FM	Field Memory or Frequency Modulation		MIPS
FPGA	Field-Programmable Gate Array	MOP	Matrix Output Processor
FTV	Flat TeleVision	MOSFET	Metal Oxide Silicon Field Effect Transistor, switching device
Gb/s	Giga bits per second		Motion Pictures Experts Group
G-TXT	Green TeleteXT	MPEG	Multi Platform InterFace
H	H_sync to the module	MPIF	MUTE Line
HD	High Definition	MUTE	MUTE Line
HDD	Hard Disk Drive	NC	Not Connected
HDCP	High-bandwidth Digital Content Protection: A "key" encoded into the HDMI/DVI signal that prevents video data piracy. If a source is HDCP coded and connected via HDMI/DVI without the proper HDCP decoding, the picture is put into a "snow vision" mode or changed to a low resolution. For normal content distribution the source and the display device must be enabled for HDCP "software key" decoding.	NICAM	Near Instantaneous Compounded Audio Multiplexing. This is a digital sound system, mainly used in Europe.
HDMI	High Definition Multimedia Interface		Negative Temperature Coefficient, non-linear resistor
HP	HeadPhone	NTC	National Television Standard Committee. Color system mainly used in North America and Japan. Color carrier NTSC M/N= 3.579545 MHz, NTSC 4.43= 4.433619 MHz (this is a VCR norm, it is not transmitted off-air)
I	Monochrome TV system. Sound carrier distance is 6.0 MHz	NTSC	Non-Volatile Memory: IC containing TV related data such as alignments
I ² C	Inter IC bus		Open Circuit
I ² D	Inter IC Data bus		On Screen Display
I ² S	Inter IC Sound bus		On screen display Teletext and Control; also called Artistic (SAA5800)
IF	Intermediate Frequency		Project 50: communication protocol between TV and peripherals
Interlaced	Scan mode where two fields are used to form one frame. Each field contains half the number of the total amount of		Phase Alternating Line. Color system mainly used in West Europe (color carrier= 4.433619 MHz) and South America (color carrier PAL M=

Safety Instructions, Warnings, Notes, and Abbreviation List

	3.575612 MHz and PAL N= 3.582056 MHz)	V	V-sync to the module
PCB	Printed Circuit Board (same as "PWB")	VCR	Video Cassette Recorder
PCM	Pulse Code Modulation	VESA	Video Electronics Standards Association
PDP	Plasma Display Panel	VGA	640x480 (4:3)
PFC	Power Factor Corrector (or Pre-conditioner)	VL	Variable Level out: processed audio output toward external amplifier
PIP	Picture In Picture	VSB	Vestigial Side Band; modulation method
PLL	Phase Locked Loop. Used for e.g. FST tuning systems. The customer can give directly the desired frequency	WYSIWYR	What You See Is What You Record: record selection that follows main picture and sound
POR	Power On Reset, signal to reset the uP		1280x768 (15:9)
Progressive Scan	Scan mode where all scan lines are displayed in one frame at the same time, creating a double vertical resolution.	WXGA	Quartz crystal
		XTAL	1024x768 (4:3)
PTC	Positive Temperature Coefficient, non-linear resistor	Y	Luminance signal
PWB	Printed Wiring Board (same as "PCB")	Y/C	Luminance (Y) and Chrominance (C) signal
PWM	Pulse Width Modulation	YPbPr	Component video. Luminance and scaled color difference signals (B-Y and R-Y)
QRC	Quasi Resonant Converter		Component video
QTNR	Quality Temporal Noise Reduction	YUV	
QVCP	Quality Video Composition Processor		
RAM	Random Access Memory		
RGB	Red, Green, and Blue. The primary color signals for TV. By mixing levels of R, G, and B, all colors (Y/C) are reproduced.		
RC	Remote Control		
RC5 / RC6	Signal protocol from the remote control receiver		
RESET	RESET signal		
ROM	Read Only Memory		
R-TXT	Red TeleteXT		
SAM	Service Alignment Mode		
S/C	Short Circuit		
SCART	Syndicat des Constructeurs d'Appareils Radiorécepteurs et Téléviseurs		
SCL	Serial Clock I ² C		
SCL-F	CLock Signal on Fast I ² C bus		
SD	Standard Definition		
SDA	Serial Data I ² C		
SDA-F	DAta Signal on Fast I ² C bus		
SDI	Serial Digital Interface, see "ITU-656"		
SDRAM	Synchronous DRAM		
SECAM	SEequence Couleur Avec Mémoire. Color system mainly used in France and East Europe. Color carriers= 4.406250 MHz and 4.250000 MHz		
SIF	Sound Intermediate Frequency		
SMPS	Switched Mode Power Supply		
SoC	System on Chip		
SOG	Sync On Green		
SOPS	Self Oscillating Power Supply		
S/PDIF	Sony Philips Digital InterFace		
SRAM	Static RAM		
SRP	Service Reference Protocol		
SSB	Small Signal Board		
STBY	STand-BY		
SVGA	800x600 (4:3)		
SVHS	Super Video Home System		
SW	Software		
SWAN	Spatial temporal Weighted Averaging Noise reduction		
SXGA	1280x1024		
TFT	Thin Film Transistor		
THD	Total Harmonic Distortion		
TMDS	Transmission Minimized Differential Signalling		
TXT	TeleteXT		
TXT-DW	Dual Window with TeleteXT		
UI	User Interface		
uP	Microprocessor		
UXGA	1600x1200 (4:3)		

PCBS LOCATION



VERSION VARIATIONS

Type / Versions		BDP3100								BDP3080	BDP5100				
		/05	/12	/51	/55	/93	/96	/98	X/78	/98	/05	/12	/51	/93	/98
Board in used	Service policy														
ASSY-POWER BOARD		M	M	M	C/M	C/M	C/M	C/M	C/M	C/M	M	M	M	C/M	C/M
ASSY-MAIN BOARD		M	M	M	C/M	C/M	C/M	C/M	C/M	C/M	M	M	M	C/M	C/M
ASSY-SWITCH BOARD		M	M	M	M	M	M	M	M	M	M	M	M	M	M
ASSY-FRONT CONTROL BOARD		M	M	M	C/M	C/M	C/M	C/M	C/M	C/M	M	M	M	C/M	C/M
* TIPS: C -- Component Lever Repair. M -- Module Lever Repair X -- Used															

Mechanical and Dismantling Instructions

Dismantling Instruction

Detailed information please refer to the model set.

The following guidelines show how to dismantle the player.

Step1: Remove 6 screws around the Top Cover, and then remove the Top Cover (Figure 1).

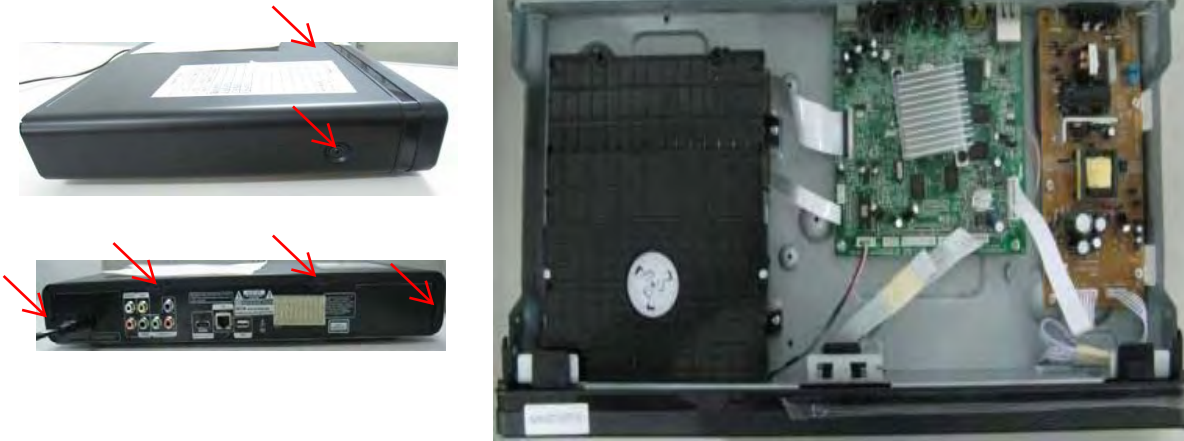


Figure 1

Step2: If it is necessary to dismantle Loader or Front Panel, the Front door should be removed first. (Figure 2)

Note: Make sure to operate gently otherwise the guider would be damaged.



Please kindly note that dismantle the front door assembly carefully to avoid damage tray and the front door.

Figure 2

Mechanical and Dismantling Instructions

Dismantling Instruction

Detailed information please refer to the model set.

Step3: If the tray can't open in normal way, you can make it through the instruction as below (Figure 3).

Note: Make sure to operate gently otherwise the guider would be damaged.



Figure 3

Step4: Dismantling Front Panel, disconnect the connectors (J3, CN502), need release 3 snaps of Front Panel and 2 snaps of bottom cabinet , then gently pull the Panel out from the set. (Figure 4 - Figure 6)

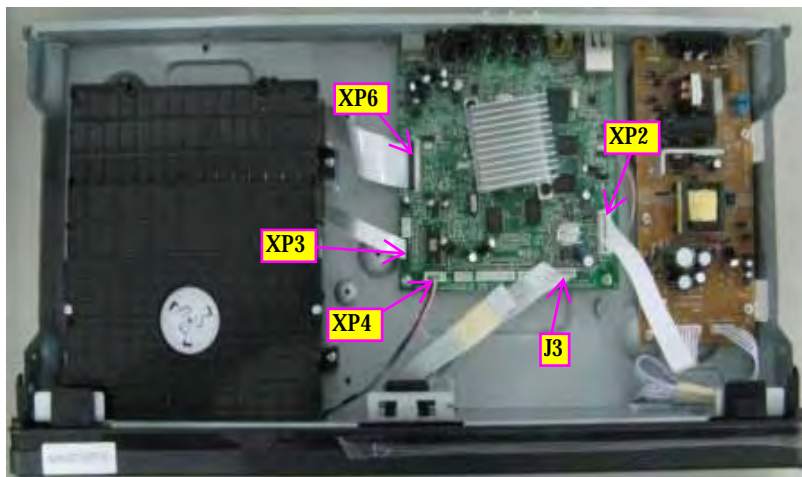


Figure 4

Mechanical and Dismantling Instructions

Dismantling Instruction

Detailed information please refer to the model set.

Step5: Dismantling Loader, disconnect the 3 connectors (XP6, XP3, XP4) aiming in the below figure, and remove 4 screws that connects the loader and the bottom cabinet. (Figure 4-5)

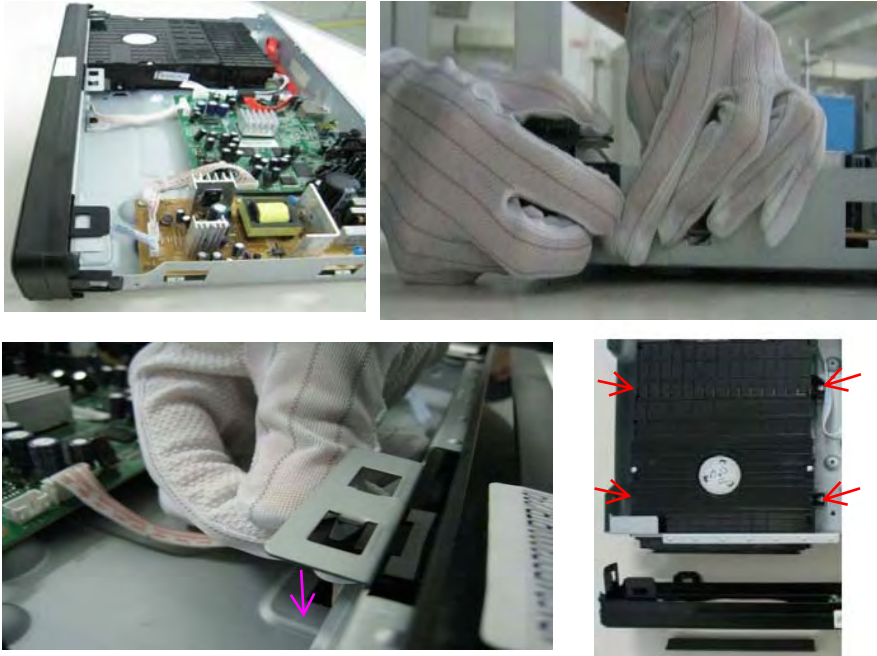


Figure 5

Step6: Dismantling Main Board, first disconnect the connector (XP2), and then remove 6 screws. (Figure 6)

Step7: Disconnect connector (CN504, CN502) and remove 6 screws on Power Board to dismantle the Power Board. (Figure 6)



Figure 6

Software check and upgrade

Preparation to upgrade software

- 1) Start the CD burning software & create a folder named "UPG_ALL",
- 2) Then copy the Bin file (BDP_3100_S_B.bin) OR (BDP_5100_S_B.bin) into it,
- 3) Burn the data onto the blank CD or USB.
- 4) If the model is BDP3100, must use (BDP_3100_S_X.bin) to upgrade
If the model is BDP5100, must use (BDP_5100_S_X.bin) to upgrade
X(A;B;C) If the model BD code is A,,X=A;BD code is B,X=B;BD code is C,X=C

A. Procedure for software upgrade

A) Upgrade software via Disc

- 1) Power on the set and insert the prepared Upgrade CDR.

2) The set will start reading disc & response with the following display TV screen:

Now searching for upgrade software!

Please wait...!

Still

- 3) Press <OK> button to confirm, then screen will display :

An upgrade software has been found!

Start upgrade with version:WKXXX.X?

Cancel

Start

- 4) Press Right cursor button to choose "Start", then press <OK>;

5) The software will upgrade and screen will display as below:

Upgrade is ongoing, Please wait...

Please do not unplug or switch off the device.

- 6) The screen will display as below when upgrading complete:

Upgrade has completed successfully!

Power off after 5s.

Power Off

- 5) Restart the set.

B) Upgrade software via network:

- 1) Setup the network connection (See "Getting started">"Set up network").
- 2) In the Home menu, select <Setting>-<Advanced Setup>-<Software Download>-<Network>.
- * You are prompted to start upgrading processes if upgrade media is detected.
- 3) Follow the instructions on the TV screen to confirm update operation.
- * Once software update is complete, this player automatically turns off to standby.
- 4) Disconnect the power cord for a few seconds and connect again to turn on the player.

C) Update software via USB Flash Drive:

- 1) Go to www.philips.com/support to check if the latest software version is available for this player.
- 2) Download the software onto a USB flash drive.
- 3) Insert the USB flash drive to the USB jack of the rear panel.
- 4) In the Home menu, select <Setup>-<Advanced Setup>-<Software Update>-<USB>.
- 5) Follow the instructions on the TV screen to confirm update operation.
- * Once software update is complete, this player automatically turns to standby.
- 6) Disconnect the power cord for a few seconds and connect again to turn on the player.

B. Read out the software versions to confirm upgrading

- 1) Power on the set and open the tray door.
- 2) Press <Home> button on the remote control.
- 3) Select <Setup>, then press <OK>.
- 4) Select <Advanced Setup>, press right cursor to choose <Version Info.>, then press <OK>, the software version and other information will display on the TV screen as below:
Model:BDP3XXX or BDP5XXX
Versions:

<http://www.philips.com/support>

MAC:XX-XX-XX-XX-XX-XX

Caution: The set must not be power off during upgrading, otherwise the Main board will be damaged entirely.

Remark: The region code can not be manual changed.

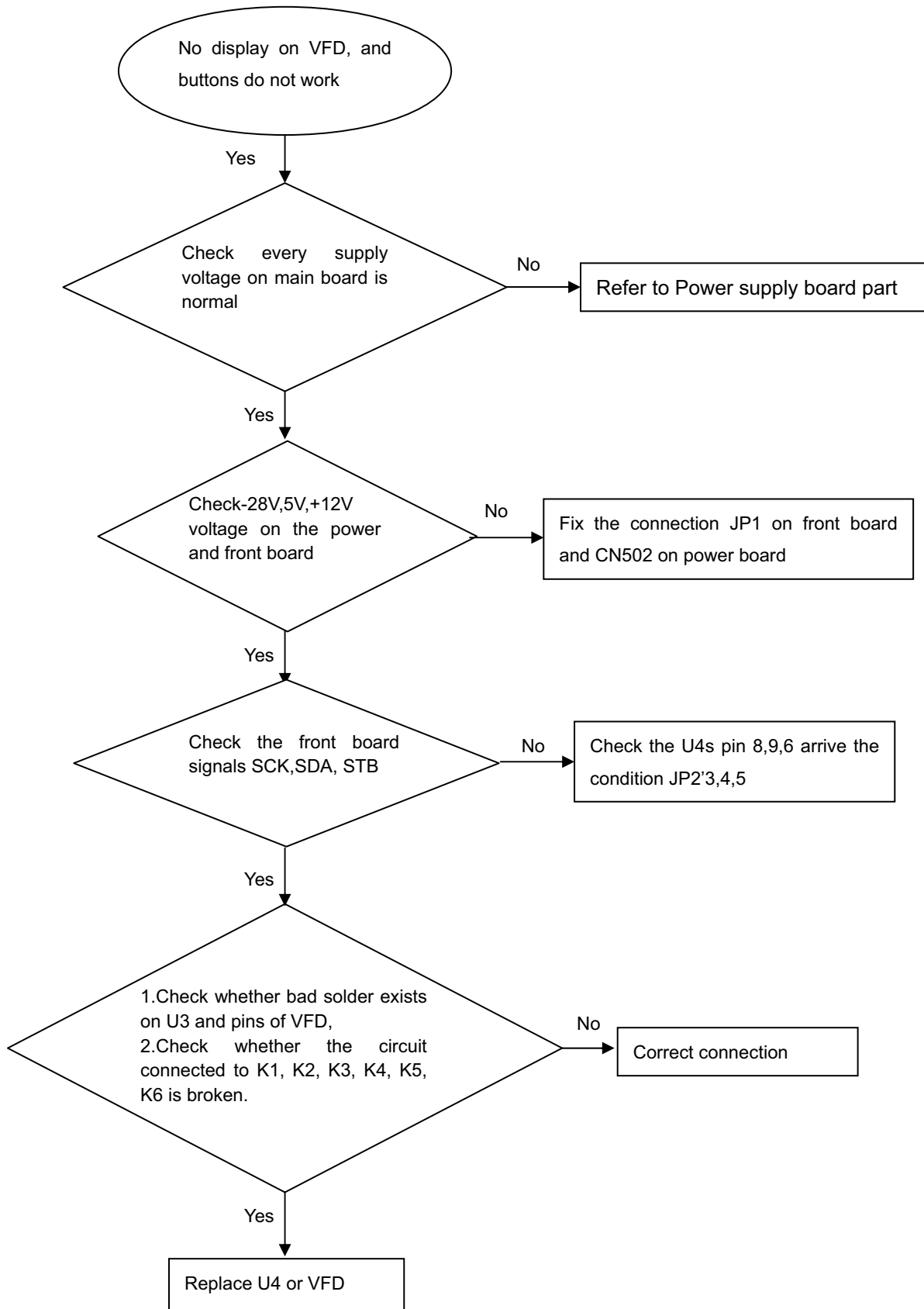
Loader repair Instruction for BDP3100/5100/ 3080/98

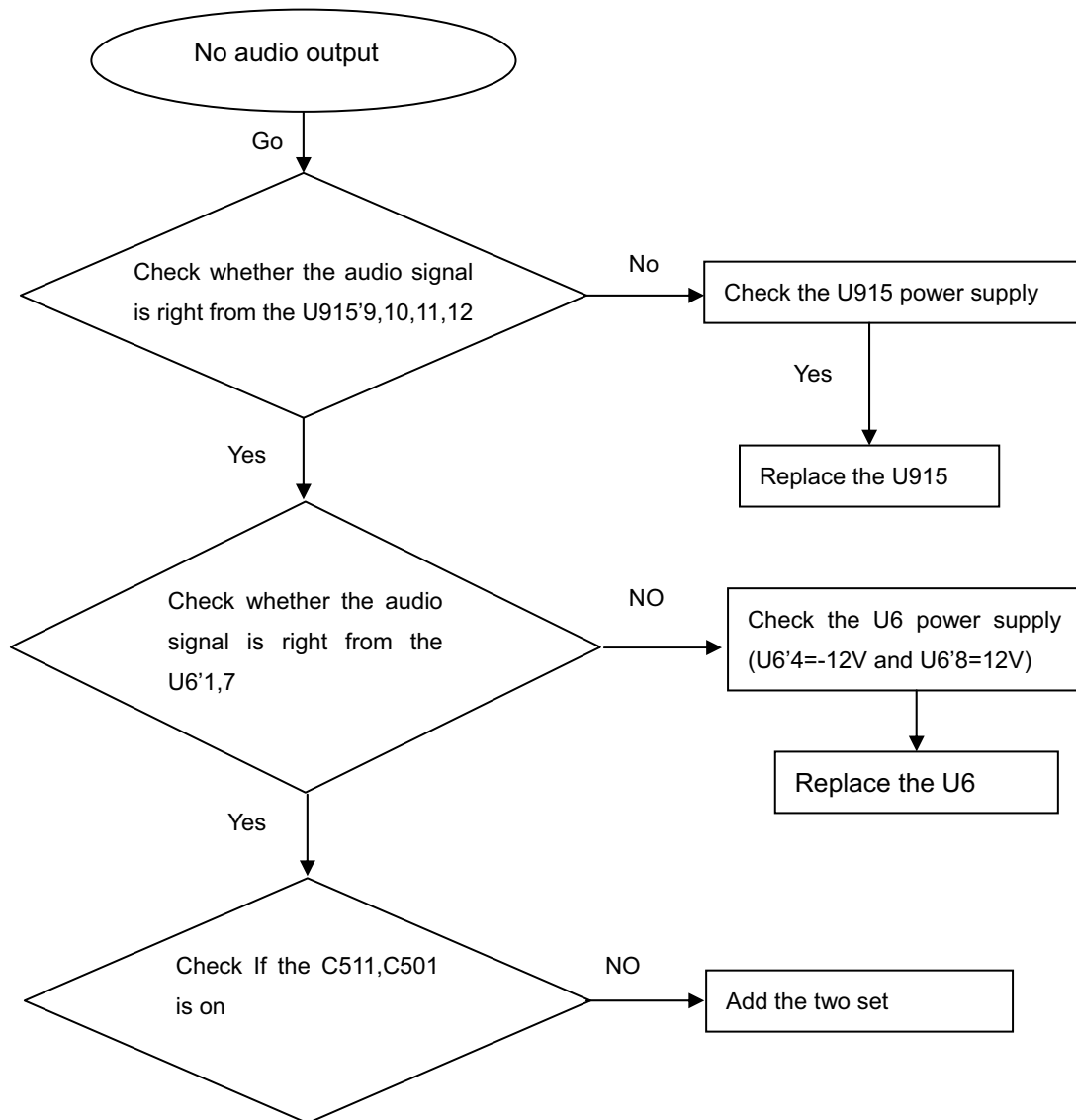
Preliminaries (at O.E.M. supplier site)

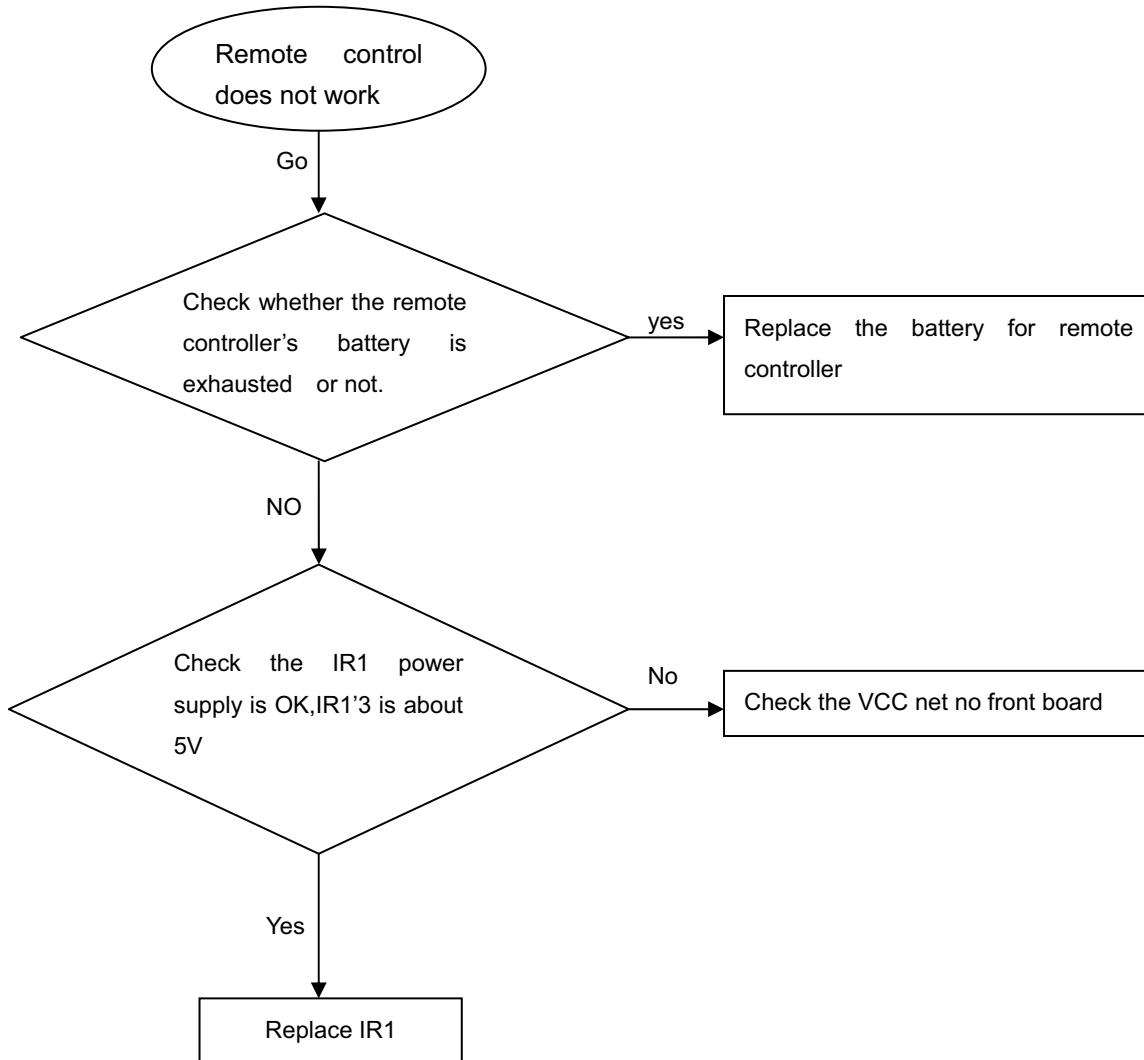
After scanning BARCODE on the new LOADER in supplier – TCL factory, print the one-dimensional code which generated by scanner and computer on label, then paste it into LOADER. If FA test passed , break off the protection point under the LOADER.

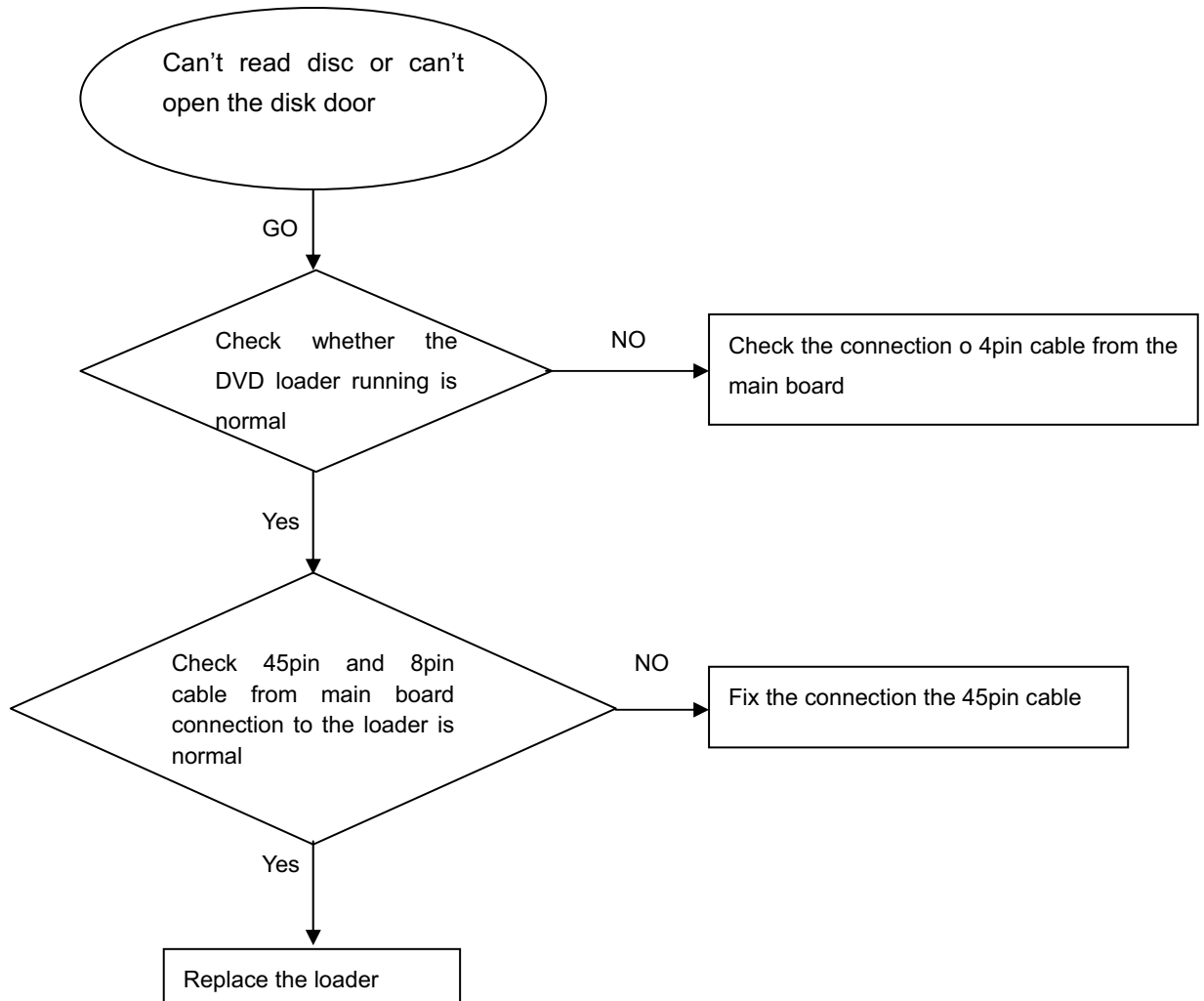
Repair Procedure in workshop

1. In region's workshop, to install loader in the machine then weld the open protection point. Keep the set to connect the TV and power on, press keys "5" "1" "7" "7" on Remote Control when in the HOME menu, then the menu will be displayed.
2. Select "Enter Barcode Info" from the menu, input the BARCODE of the LOADER and wait until the OSD displays "PASS", press "STOP" key on Remote Control to go back to the menu.
3. Select "Laser check", confirm whether the cable is connected and welded protection point is ok.
4. Restart the set, test CD, DVD, BD discs. If ok, the LOADER replacing procedure is finish.

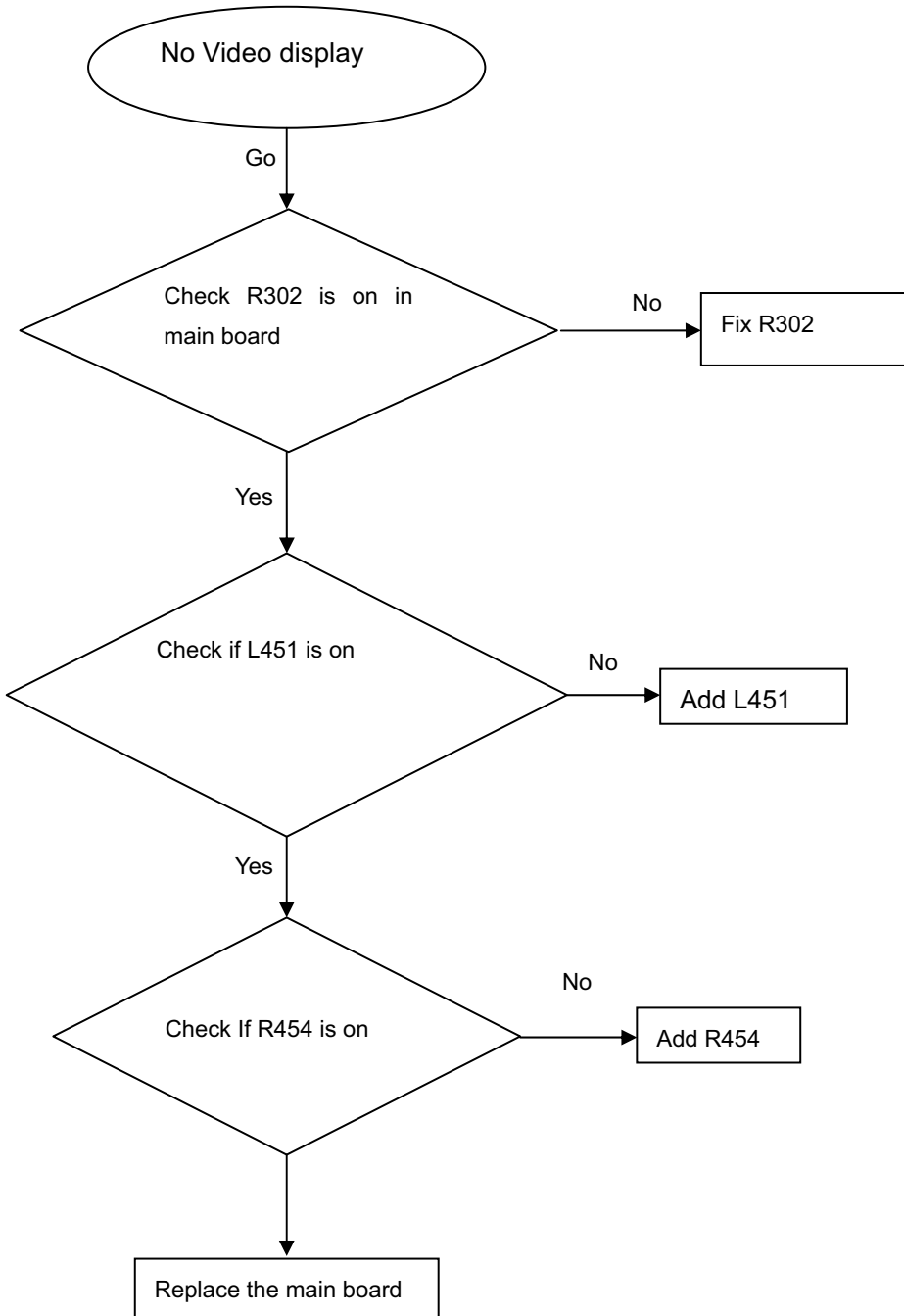
No display on VFD, and buttons do not work

No audio output

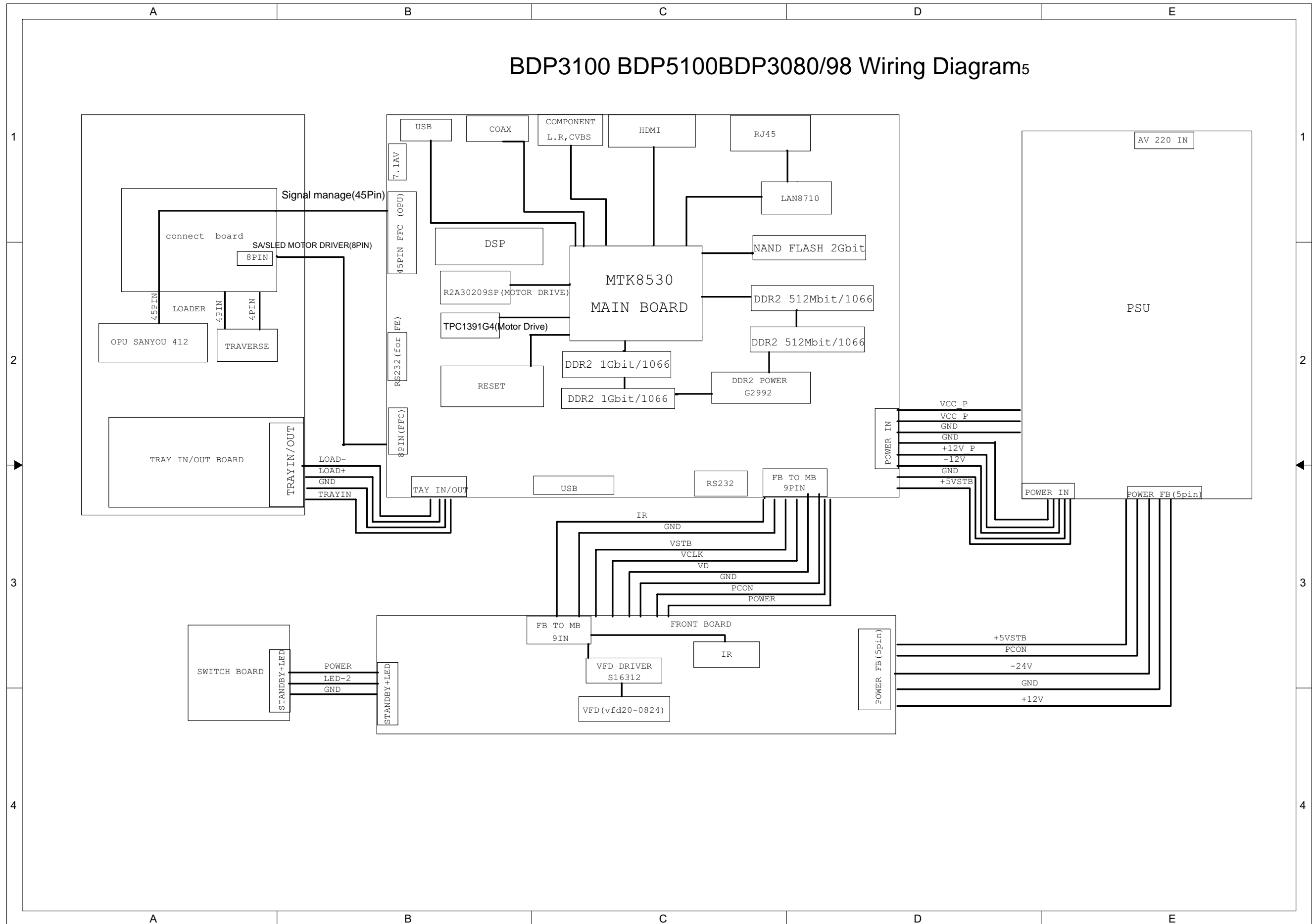
Remote control does not work

Can't read disc or can't open the disk door

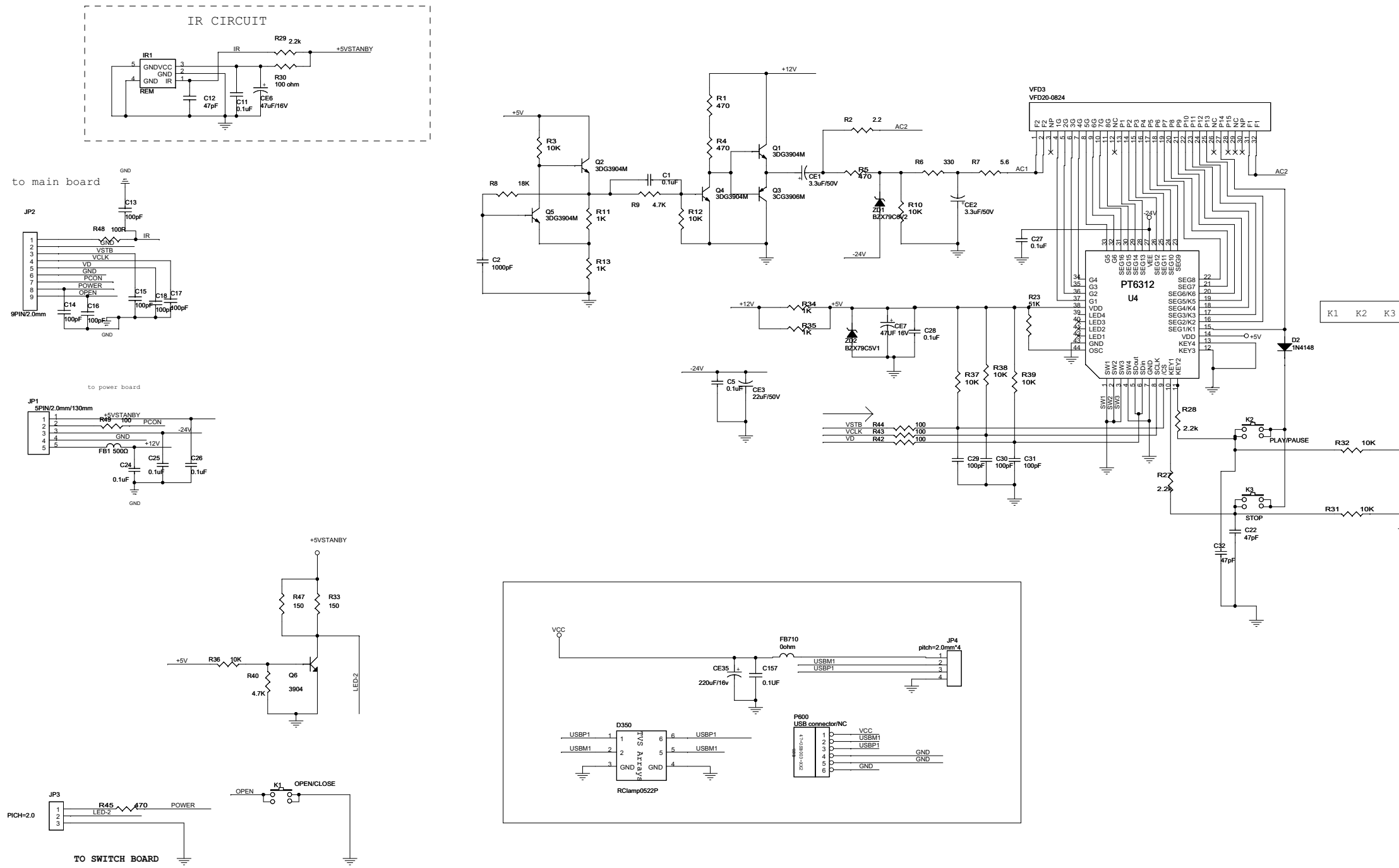
No video display



BDP3100 BDP5100BDP3080/98 Wiring Diagram₅



Front Board Circuit Diagram:

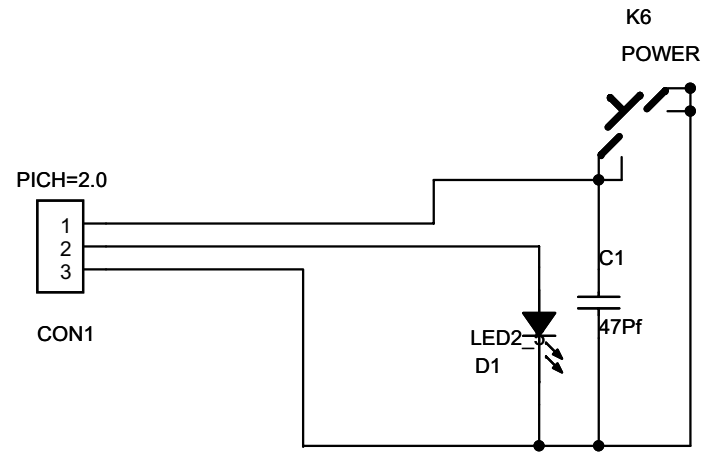


A B C D E

Switch Board Circuit Diagram:

1

1



2

2

SWITCH BOARD

3

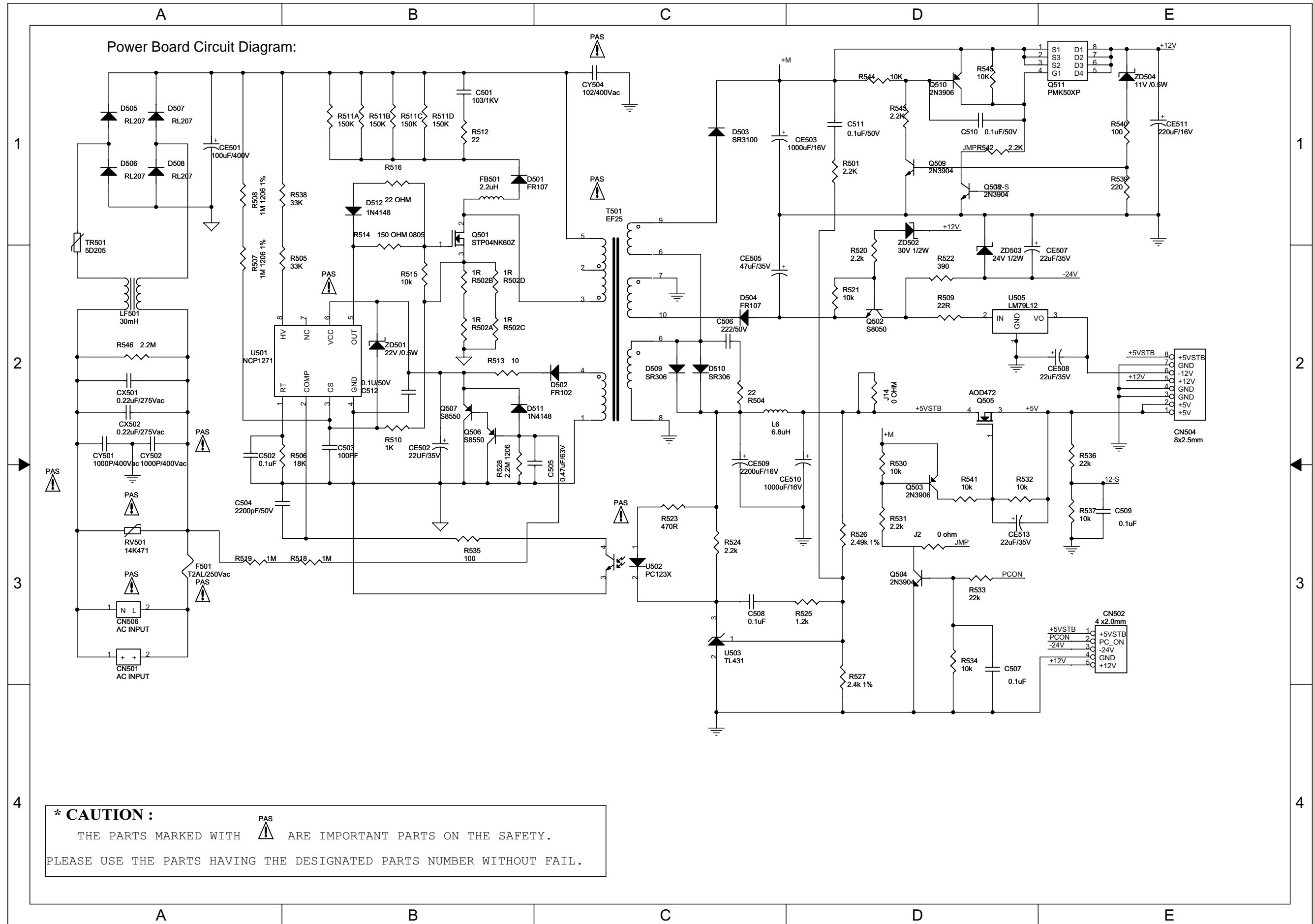
3

4


4

A B C D E

Power Board Circuit Diagram:

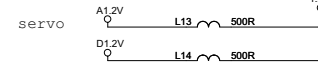
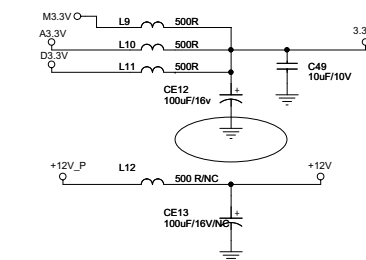
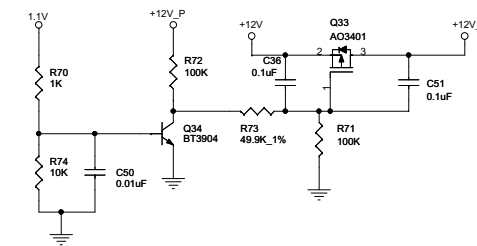
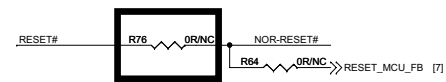
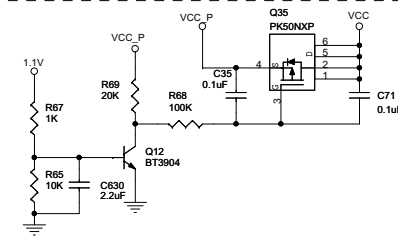
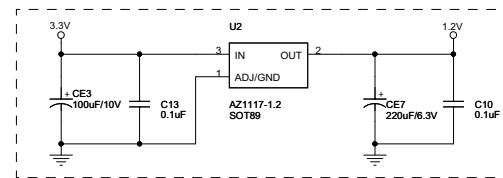
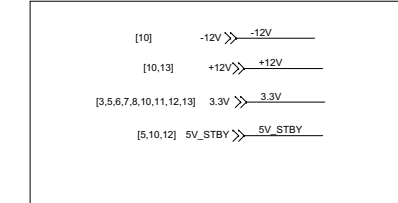
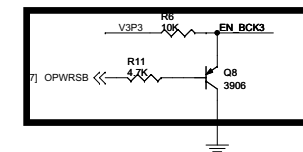
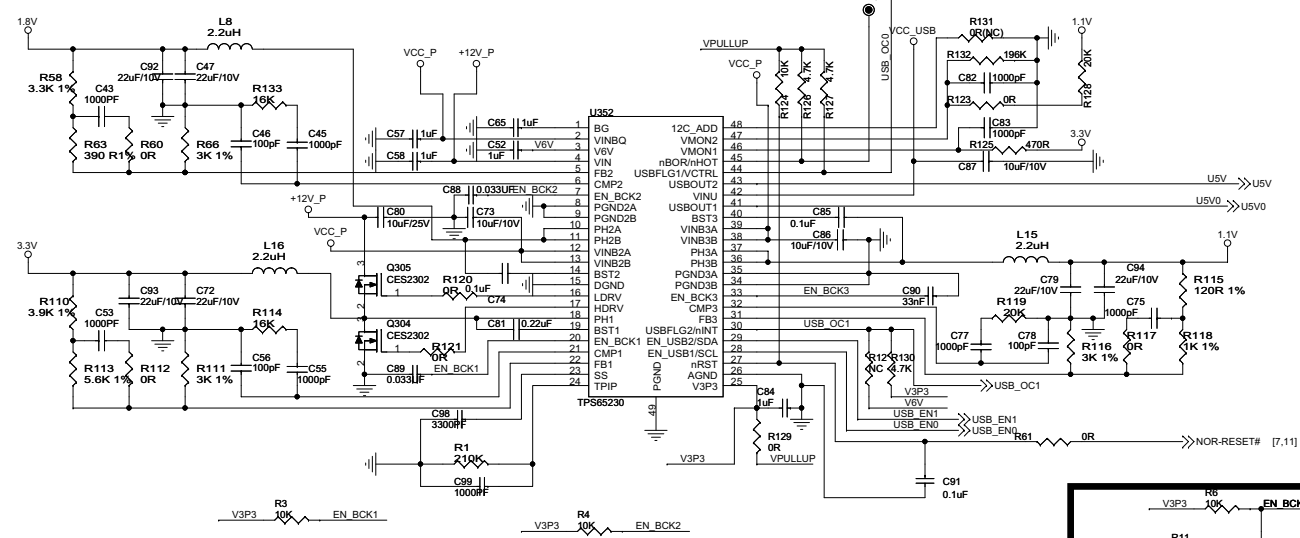
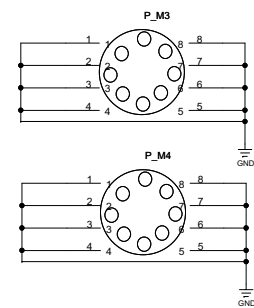
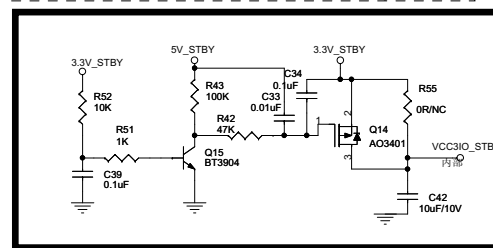
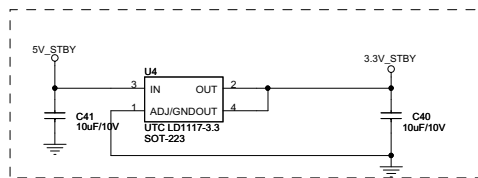
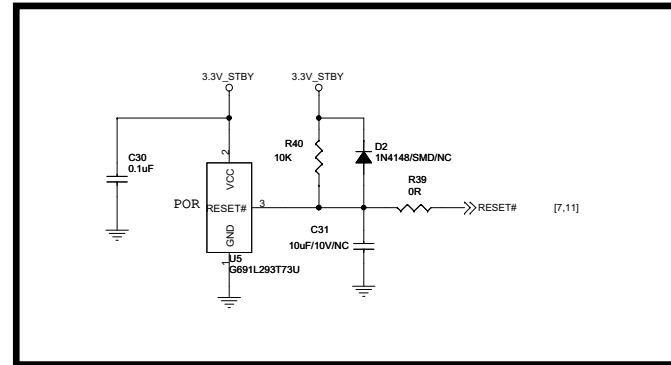
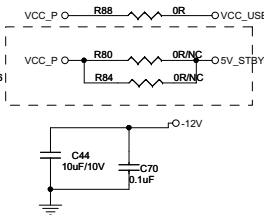
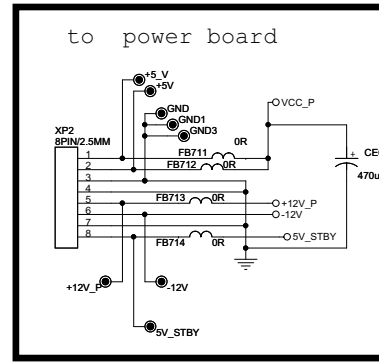


*** CAUTION :**

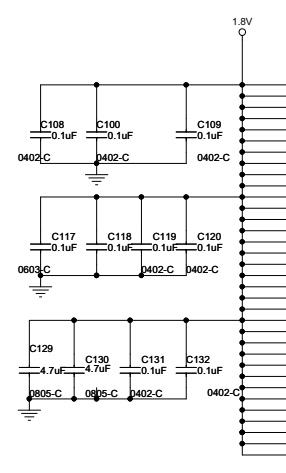
THE PARTS MARKED WITH  ARE IMPORTANT PARTS ON THE SAFETY.

PLEASE USE THE PARTS HAVING THE DESIGNATED PARTS NUMBER WITHOUT FAIL.

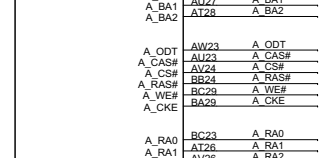
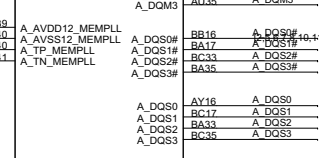
Main Board Circuit Diagram: POWER



Main Board Circuit Diagram: MT530-DDR Part1



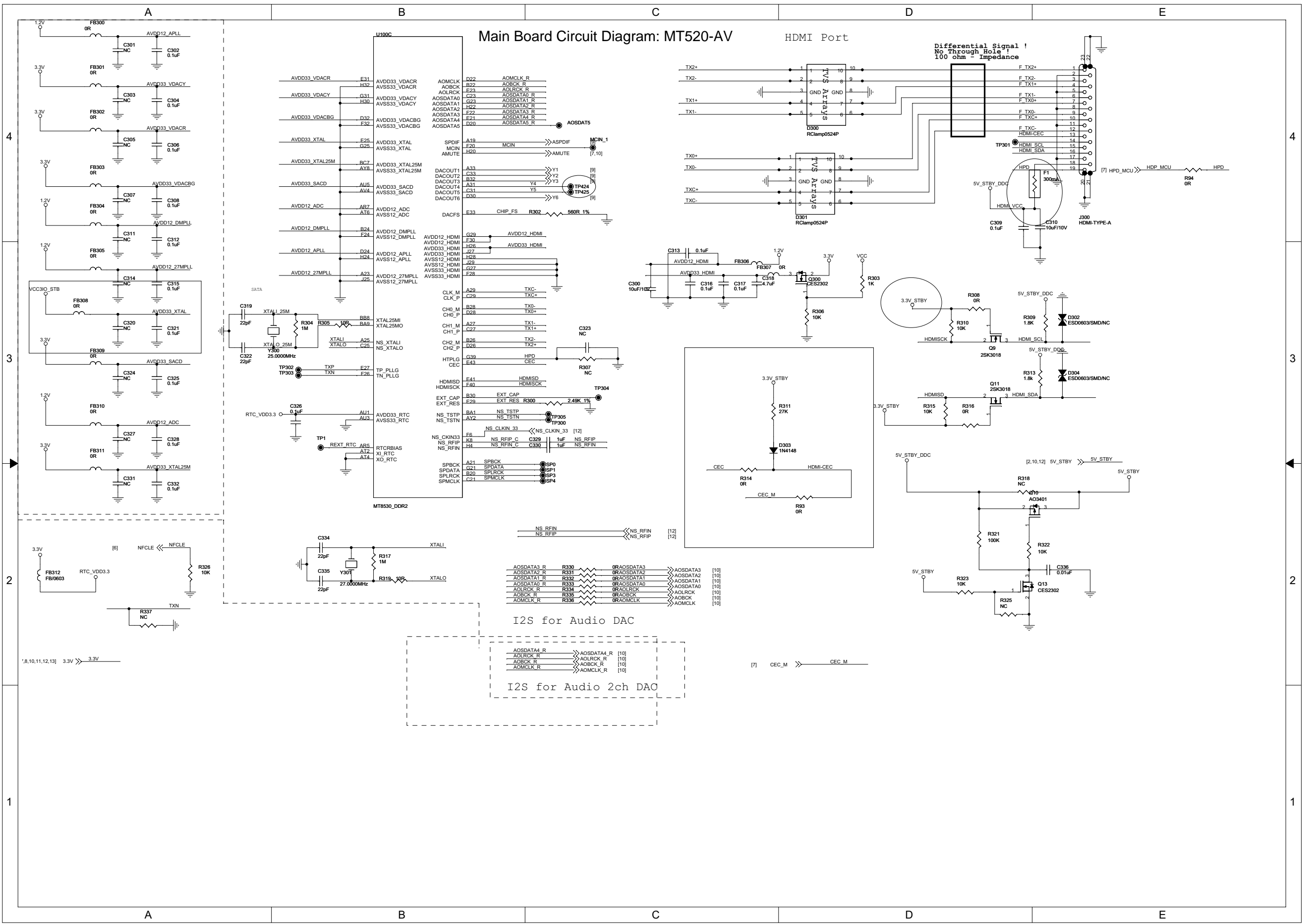
BB18	VCC2I0	A_D08	AV16	A_D00
AY18	VCC2I0	A_D01	AW15	A_D01
BB22	VCC2I0	A_D02	BC13	A_D02
AY22	VCC2I0	A_D04	AU15	A_D03
AR19	VCC2I0	A_D03	BA13	A_D04
BB14	VCC2I0	A_D05	AI16	A_D05
AY14	VCC2I0	A_D06	BA15	A_D06
BB14	VCC2I0	A_D08	BC15	A_D07
AY30	VCC2I0	A_D09	AI19	A_D08
BB30	VCC2I0	A_D09	AU19	A_D09
AY30	VCC2I0	A_D10	BB20	A_D10
BB34	VCC2I0	A_D011	AI21	A_D11
AY34	VCC2I0	A_D012	AW19	A_D12
BB34	VCC2I0	A_D012	BC19	A_D13
AY34	VCC2I0	A_D014	AV20	A_D14
BB38	VCC2I0	A_D015	BA19	A_D15
AY38	VCC2I0	A_D016	AV32	A_D16
BB40	VCC2I0	A_D017	BC32	A_D17
AY40	VCC2I0	A_D017	AW31	A_D18
BB40	VCC2I0	A_D019	BC31	A_D19
AY40	VCC2I0	A_D020	AU31	A_D20
BB40	VCC2I0	A_D021	AV32	A_D22
AY40	VCC2I0	A_D024	AT32	A_D24
BB42	VCC2I0	A_D025	AV36	A_D24
AY42	VCC2I0	A_D026	BA37	A_D25
BB42	VCC2I0	A_D027	AV36	A_D25
AY42	VCC2I0	A_D028	AV37	A_D27
BB42	VCC2I0	A_D028	AW35	A_D28
AY42	VCC2I0	A_D029	AV38	A_D29
BB42	VCC2I0	A_D029	AV38	A_D30
AY42	VCC2I0	A_D031	BB36	A_D31
BB26	VCC2I0	A_D0M0	AT18	A_D0M0
		A_D0M1	AV18	A_D0M1
		A_D0M2	AV34	A_D0M2
		A_D0M3	AU35	A_D0M3
		A_D0S0	AV16	A_D0S0
		A_D0S1	BC17	A_D0S1
		A_D0S2	BA33	A_D0S2
		A_D0S3	BC36	A_D0S3
		A_BA0	BB28	A_BA0
		A_BA1	AU27	A_BA1
		A_BA2	AT28	A_BA2
		A_ODT	AW23	A_ODT
		A_CAS#	AU23	A_CAS#
		A_CS#	AV24	A_CS#
		A_RAS#	BB24	A_RAS#
		A_WE#	BC29	A_WE#
		A_CKE	BA29	A_CKE
		A_RA0	BC23	A_RA0
		A_RA1	AT26	A_RA1
		A_RA2	AV26	A_RA2
		A_RA3	BC27	A_RA3
		A_RA4	AV24	A_RA4
		A_RA5	AV26	A_RA5
		A_RA6	BA26	A_RA6
		A_RA7	BA27	A_RA7
		A_RA8	BA23	A_RA8
		A_RA9	AW27	A_RA9
		A_RA10	AV28	A_RA10
		A_RA11	AT24	A_RA11
		A_RA12	BA26	A_RA12
		A_RA13	AV22	A_RA13
		A_RCK0	BC21	A_RCK0
		A_RCK0#	BA21	A_RCK0#
		A_RCK1	BA39	A_RCK1
		A_RCK1#	BC39	A_RCK1#
		A_REXTDN	AV30	A_REXTDN
		A_RVREF	BC43	A_REXTUP
			AT30	A_RVREF



Main Board Circuit Diagram: MT530-DDR Part2

J9	DVSS	B_DQ0	AR39	B_DQ0
J11	DVSS	B_DQ1	AW43	B_DQ1
T12	DVSS	B_DQ2	AW43	B_DQ2
V12	DVSS	B_DQ3	AW41	B_DQ3
J13	DVSS	B_DQ4	AT38	B_DQ4
U13	DVSS	B_DQ5	AR37	B_DQ5
W13	DVSS	B_DQ6	AF36	B_DQ6
AW13	DVSS	B_DQ8	AN43	B_DQ8
T14	DVSS	B_DQ9	AK36	B_DQ9
E14	DVSS	B_DQ10	AM40	B_DQ10
AT14	DVSS	B_DQ11	AL37	B_DQ11
H16	DVSS	B_DQ12	AM38	B_DQ12
AR17	DVSS	B_DQ13	AM42	B_DQ13
AW17	DVSS	B_DQ14	AL39	B_DQ14
J18	DVSS	B_DQ15	AN41	B_DQ15
AA21	DVSS	B_DQ16	Y38	B_DQ16
AC21	DVSS	B_DQ17	AA41	B_DQ17
AE21	DVSS	B_DQ18	W37	B_DQ18
AG21	DVSS	B_DQ19	AA43	B_DQ19
J21	DVSS	B_DQ20	V40	B_DQ20
AW21	DVSS	B_DQ21	W39	B_DQ21
Y22	DVSS	B_DQ22	Y42	B_DQ22
AT22	DVSS	B_DQ23	Y36	B_DQ23
J23	DVSS	B_DQ24	T40	B_DQ24
AC23	DVSS	B_DQ25	R37	B_DQ25
AE23	DVSS	B_DQ26	R43	B_DQ26
AG23	DVSS	B_DQ27	T38	B_DQ27
Y24	DVSS	B_DQ28	T36	B_DQ28
AB24	DVSS	B_DQ29	R41	B_DQ29
AD24	DVSS	B_DQ30	R39	B_DQ30
AE24	DVSS	B_DQ31	T42	B_DQ31
AG24	DVSS	B_DQM0	AP38	B_DQM0
Y25	DVSS	B_DQM1	AM36	B_DQM1
AB25	DVSS	B_DQM2	V38	B_DQM2
AD25	DVSS	B_DQM3	Y36	B_DQM3
AE25	DVSS	B_DQS0#	AT42	B_DQS0#
AG25	DVSS	B_DQS1#	AR41	B_DQS1#
Y26	DVSS	B_DQS2#	W43	B_DQS2#
AB26	DVSS	B_DQS3#	U41	B_DQS3#
AD26	DVSS	B_DQS0	AT40	B_DQS0
AE26	DVSS	B_DQS1	AR43	B_DQS1
AG26	DVSS	B_DQS2	W41	B_DQS2
Y27	DVSS	B_DQS3	U43	B_DQS3
AB27	DVSS	B_BA0	AD40	B_BA0
AD27	DVSS	B_BA1	AD38	B_BA1
AE27	DVSS	B_BA2	AC39	B_BA2
AG27	DVSS	B_CAS#	AH40	B_CAS#
Y28	DVSS	B_CS#	AD42	B_CS#
AB28	DVSS	B_RAS#	AL41	B_RAS#
AD28	DVSS	B_WE#	AC43	B_WE#
AE28	DVSS	B_CKE	AC41	B_CKE
AG28	DVSS	B_CKE	AB38	B_CKE
Y29	DVSS	B_RA0	AG43	B_RA0
AB29	DVSS	B_RA1	AE38	B_RA1
AD29	DVSS	B_RA2	AG37	B_RA2
AE29	DVSS	B_RA3	AL43	B_RA3
AG29	DVSS	B_RA4	AH42	B_RA4
Y30	DVSS	B_RA5	AG37	B_RA5
AB30	DVSS	B_RA6	AC39	B_RA6
AD30	DVSS	B_RA7	AE43	B_RA7
AE30	DVSS	B_RA8	AH38	B_RA8
AG30	DVSS	B_RA9	AD38	B_RA9
Y31	DVSS	B_RA10	AE36	B_RA10
AB31	DVSS	B_RA11	AH38	B_RA11
AD31	DVSS	B_RA12	AE41	B_RA12
AE31	DVSS	B_RA13	AK38	B_RA13
AG31	DVSS	B_RCLK0	AL43	B_RCLK0
Y32	DVSS	B_RCLK0#	AL41	B_RCLK0#
AB32	DVSS	B_RCLK1	M41	B_RCLK1
AD32	DVSS	B_RCLK1#	M43	B_RCLK1#
AE32	DVSS	B_ODT	AG41	B_ODT
AG32	DVSS	B_REXTDN	M42	B_REXTDN
Y33	DVSS	B_RVREF	AB36	B_RVREF
AB33	DVSS	B_VREF		
AD33	DVSS	B_VREF		
AE33	DVSS	B_VREF		
AG33	DVSS	B_VREF		
Y34	DVSS	B_VREF		
AB34	DVSS	B_VREF		
AD34	DVSS	B_VREF		
AE34	DVSS	B_VREF		
AG34	DVSS	B_VREF		
Y35	DVSS	B_VREF		
AB35	DVSS	B_VREF		
AD35	DVSS	B_VREF		
AE35	DVSS	B_VREF		
AG35	DVSS	B_VREF		
Y36	DVSS	B_VREF		
AB36	DVSS	B_VREF		
AD36	DVSS	B_VREF		
AE36	DVSS	B_VREF		
AG36	DVSS	B_VREF		
Y37	DVSS	B_VREF		
AB37	DVSS	B_VREF		
AD37	DVSS	B_VREF		
AE37	DVSS	B_VREF		
AG37	DVSS	B_VREF		
Y38	DVSS	B_VREF		
AB38	DVSS	B_VREF		
AD38	DVSS	B_VREF		
AE38	DVSS	B_VREF		
AG38	DVSS	B_VREF		
Y39	DVSS	B_VREF		
AB39	DVSS	B_VREF		
AD39	DVSS	B_VREF		
AE39	DVSS	B_VREF		
AG39	DVSS	B_VREF		
Y40	DVSS	B_VREF		
AB40	DVSS	B_VREF		
AD40	DVSS	B_VREF		
AE40	DVSS	B_VREF		
AG40	DVSS	B_VREF		
Y41	DVSS	B_VREF		
AB41	DVSS	B_VREF		
AD41	DVSS	B_VREF		
AE41	DVSS	B_VREF		
AG41	DVSS	B_VREF		
Y42	DVSS	B_VREF		
AB42	DVSS	B_VREF		
AD42	DVSS	B_VREF		
AE42	DVSS	B_VREF		
AG42	DVSS	B_VREF		
Y43	DVSS	B_VREF		
AB43	DVSS	B_VREF		
AD43	DVSS	B_VREF		
AE43	DVSS	B_VREF		
AG43	DVSS	B_VREF		
Y44	DVSS	B_VREF		
AB44	DVSS	B_VREF		
AD44	DVSS	B_VREF		
AE44	DVSS	B_VREF		
AG44	DVSS	B_VREF		
Y45	DVSS	B_VREF		
AB45	DVSS	B_VREF		
AD45	DVSS	B_VREF		
AE45	DVSS	B_VREF		
AG45	DVSS	B_VREF		
Y46	DVSS	B_VREF		
AB46	DVSS	B_VREF		
AD46	DVSS	B_VREF		
AE46	DVSS	B_VREF		
AG46	DVSS	B_VREF		
Y47	DVSS	B_VREF		
AB47	DVSS	B_VREF		
AD47	DVSS	B_VREF		
AE47	DVSS	B_VREF		
AG47	DVSS	B_VREF		
Y48	DVSS	B_VREF		
AB48	DVSS	B_VREF		
AD48	DVSS	B_VREF		
AE48	DVSS	B_VREF		
AG48	DVSS	B_VREF		
Y49	DVSS	B_VREF		
AB49	DVSS	B_VREF		
AD49	DVSS	B_VREF		
AE49	DVSS	B_VREF		
AG49	DVSS	B_VREF		
Y50	DVSS	B_VREF		
AB50	DVSS	B_VREF		
AD50	DVSS	B_VREF		
AE50	DVSS	B_VREF		
AG50	DVSS	B_VREF		
Y51	DVSS	B_VREF		
AB51	DVSS	B_VREF		
AD51	DVSS	B_VREF		
AE51	DVSS	B_VREF		
AG51	DVSS	B_VREF		
Y52	DVSS	B_VREF		
AB52	DVSS	B_VREF		
AD52	DVSS	B_VREF		
AE52	DVSS	B_VREF		
AG52	DVSS	B_VREF		
Y53	DVSS	B_VREF		
AB53	DVSS	B_VREF		
AD53	DVSS	B_VREF		
AE53	DVSS	B_VREF		
AG53	DVSS	B_VREF		
Y54	DVSS	B_VREF		
AB54	DVSS	B_VREF		
AD54	DVSS	B_VREF		
AE54	DVSS	B_VREF		
AG54	DVSS	B_VREF		
Y55	DVSS	B_VREF		
AB55	DVSS	B_VREF		
AD55	DVSS	B_VREF		
AE55	DVSS	B_VREF		
AG55	DVSS	B_VREF		
Y56	DVSS	B_VREF		
AB56	DVSS	B_VREF		
AD56	DVSS	B_VREF		
AE56	DVSS	B_VREF		
AG56	DVSS	B_VREF		
Y57	DVSS	B_VREF		
AB57	DVSS	B_VREF		
AD57	DVSS	B_VREF		
AE57	DVSS	B_VREF		
AG57	DVSS	B_VREF		
Y58	DVSS	B_VREF		
AB58	DVSS	B_VREF		
AD58	DVSS	B_VREF		
AE58	DVSS	B_VREF		
AG58	DVSS	B_VREF		
Y59	DVSS	B_VREF		
AB59	DVSS	B_VREF		
AD59	DVSS	B_VREF		
AE59	DVSS	B_VREF		
AG59	DVSS	B_VREF		
Y60	DVSS	B_VREF		
AB60	DVSS	B_VREF		
AD60	DVSS	B_VREF		
AE60	DVSS	B_VREF		
AG60	DVSS	B_VREF		
Y61	DVSS	B_VREF		
AB61	DVSS	B_VREF		
AD61	DVSS	B_VREF		
AE61	DVSS	B_VREF		
AG61	DVSS	B_VREF		
Y62	DVSS	B_VREF		
AB62	DVSS	B_VREF		
AD62	DVSS	B_VREF		
AE62	DVSS	B_VREF		
AG62	DVSS	B_VREF		
Y63	DVSS	B_VREF		
AB63	DVSS	B_VREF		
AD63	DVSS	B_VREF		
AE63	DVSS	B_VREF		
AG63	DVSS	B_VREF		
Y64	DVSS	B_VREF		
AB64	DVSS	B_VREF		
AD64	DVSS	B_VREF		
AE64	DVSS	B_VREF		
AG64	DVSS	B_VREF		
Y65	DVSS	B_VREF		
AB65	DVSS	B_VREF		
AD65	DVSS	B_VREF		
AE65	DVSS	B_VREF		
AG65	DVSS	B_VREF		
Y66	DVSS	B_VREF		
AB66	DVSS	B_VREF		
AD66	DVSS	B_VREF		
AE66	DVSS	B_VREF		
AG66	DVSS	B_VREF		
Y67	DVSS	B_VREF		
AB67	DVSS	B_VREF		
AD67	DVSS	B_VREF		
AE67	DVSS	B_VREF		
AG67	DVSS	B_VREF		
Y68	DVSS	B_VREF		
AB68	DVSS	B_VREF		
AD68	DVSS	B_VREF		
AE68	DVSS	B_VREF		
AG68	DVSS	B_VREF		
Y69	DVSS	B_VREF		
AB69	DVSS	B_VREF		
AD69	DVSS	B_VREF		
AE69	DVSS	B_VREF		
AG69	DVSS	B_VREF		
Y70	DVSS	B_VREF		
AB70	DVSS	B_VREF		
AD70	DVSS	B_VREF		
AE70	DVSS	B_VREF		
AG70	DVSS	B_VREF		
Y71	DVSS	B_VREF		
AB71	DVSS	B_VREF		
AD71	DVSS	B_VREF		
AE71	DVSS	B_VREF		
AG71	DVSS	B_VREF		
Y72	DVSS	B_VREF		
AB72	DVSS	B_VREF		
AD72	DVSS	B_VREF		
AE72	DVSS	B_VREF		
AG72	DVSS	B_VREF		
Y73	DVSS	B_VREF		
AB73	DVSS	B_VREF		
AD73	DVSS	B_VREF		
AE73	DVSS	B_VREF		
AG73	DVSS	B_VREF		
Y74	DVSS	B_VREF		
AB74	DVSS	B_VREF		
AD74	DVSS	B_VREF		
AE74	DVSS	B_VREF		
AG74	DVSS	B_VREF		
Y75	DVSS	B_VREF		
AB75	DVSS	B_VREF		
AD75	DVSS	B_VREF		
AE75	DVSS	B_VREF		
AG75	DVSS	B_VREF		
Y76	DVSS	B_VREF		
AB76	DVSS	B_VREF		
AD76	DVSS	B_VREF		
AE76	DVSS	B_VREF		
AG76	DVSS	B_VREF		
Y77	DVSS	B_VREF		
AB77	DVSS	B_VREF		
AD77	DVSS	B_VREF		
AE77	DVSS	B_VREF		
AG77	DVSS	B_VREF		
Y78	DVSS	B_VREF		
AB78	DVSS	B_VREF		
AD78	DVSS	B_VREF		
AE78	DVSS	B_VREF		
AG78	DVSS	B_VREF		
Y79	DVSS	B_VREF		
AB79	DVSS	B_VREF		
AD79	DVSS	B_VREF		
AE79	DVSS	B_VREF		
AG79	DVSS	B_VREF		
Y80	DVSS	B_VREF		
AB80	DVSS	B_VREF		
AD80	DVSS	B_VREF		
AE80	DVSS	B_VREF		
AG80	DVSS	B_VREF		
Y81	DVSS	B_VREF		
AB81	DVSS	B_VREF		
AD81	DVSS	B_VREF		
AE81	DVSS	B_VREF		
AG81	DVSS	B_VREF		
Y82	DVSS	B_VREF		
AB82	DVSS	B_VREF		
AD82	DVSS	B_VREF		
AE82	DVSS	B_VREF		
AG82	DVSS	B_VREF		
Y83	DVSS	B_VREF		
AB83	DVSS	B_VREF		
AD83	DVSS	B_VREF		
AE83	DVSS	B_VREF		
AG83	DVSS	B_VREF		
Y84	DVSS	B_VREF		
AB84	DVSS	B_VREF		
AD84	DVSS	B_VREF		
AE84	DVSS</			

Main Board Circuit Diagram: MT520-AV



I2S for Audio DAC

I2S for Audio 2ch DAC

Differential Signal!
No Through Hole!
100 ohm Impedance

HDMI Port

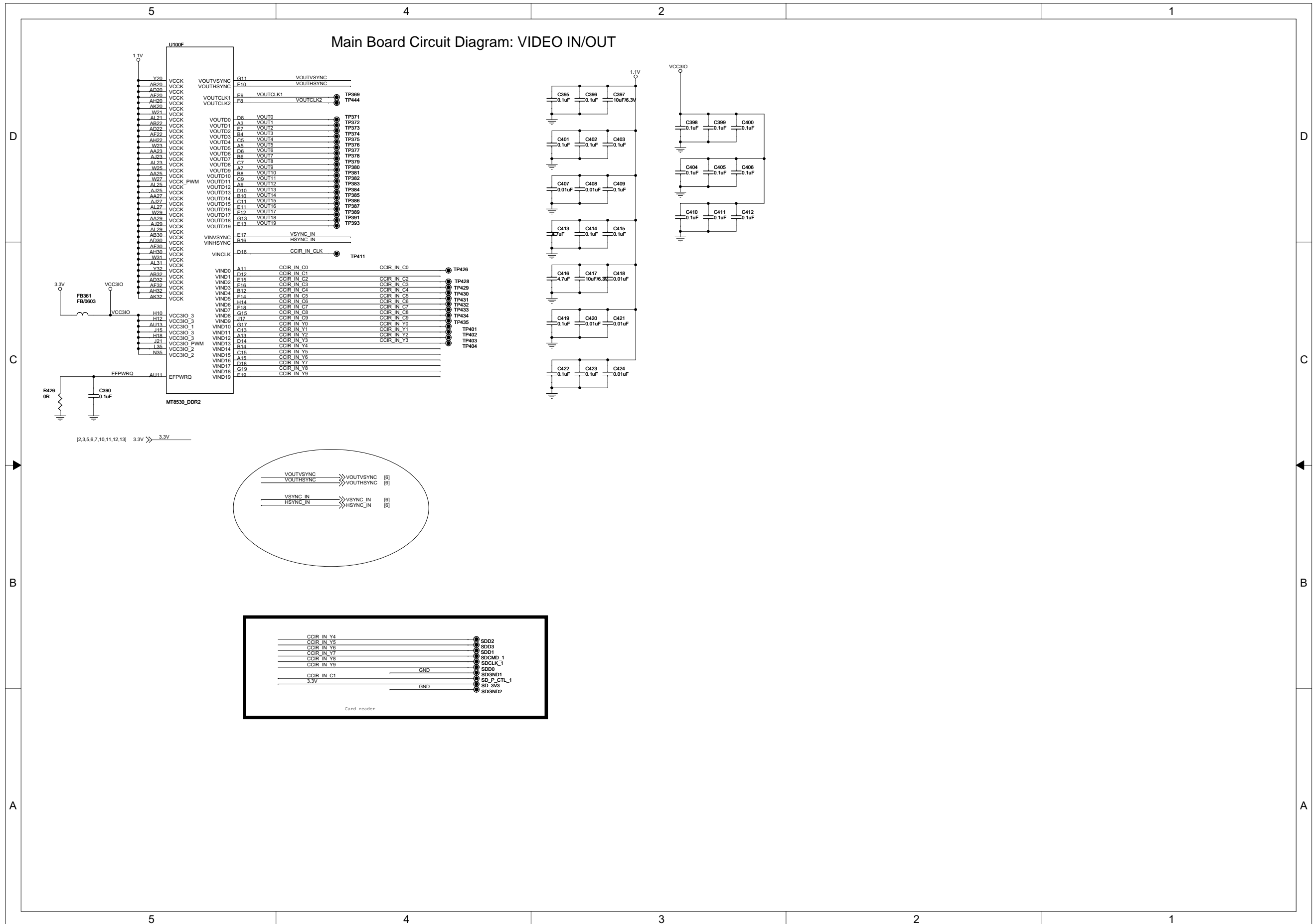
- AOSDATA3 R R330
- AOSDATA2 R R331
- AOSDATA1 R R332
- AOSDATA0 R R333
- AOLRCK R R334
- AOLRCK R R335
- AOLRCK R R336
- AOMCLK R R337
- AOMCLK R R338
- AOMCLK R R339
- AOMCLK R R340
- AOMCLK R R341
- AOMCLK R R342
- AOMCLK R R343
- AOMCLK R R344
- AOMCLK R R345
- AOMCLK R R346
- AOMCLK R R347
- AOMCLK R R348
- AOMCLK R R349
- AOMCLK R R350

- AOSDATA4 R R330
- AOSDATA4_R [10]
- AOLRCK R R331
- AOLRCK_R [10]
- AOLRCK R R332
- AOLRCK_R [10]
- AOLRCK R R333
- AOLRCK_R [10]
- AOLRCK R R334
- AOLRCK_R [10]
- AOLRCK R R335
- AOLRCK_R [10]
- AOLRCK R R336
- AOLRCK_R [10]
- AOLRCK R R337
- AOLRCK_R [10]
- AOLRCK R R338
- AOLRCK_R [10]
- AOLRCK R R339
- AOLRCK_R [10]
- AOLRCK R R340
- AOLRCK_R [10]

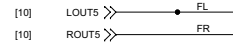
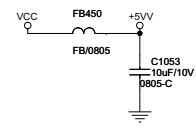
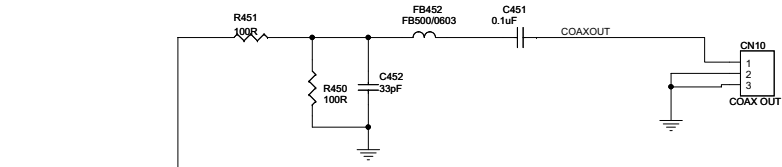
[7] CEC_M >> CEC_M

[8,10,11,12,13] 3.3V >> 3.3V

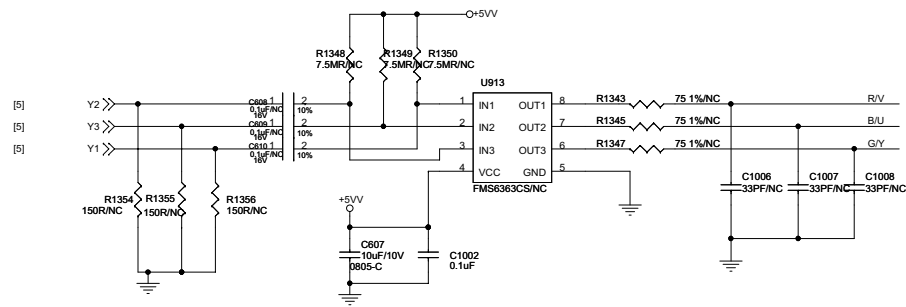
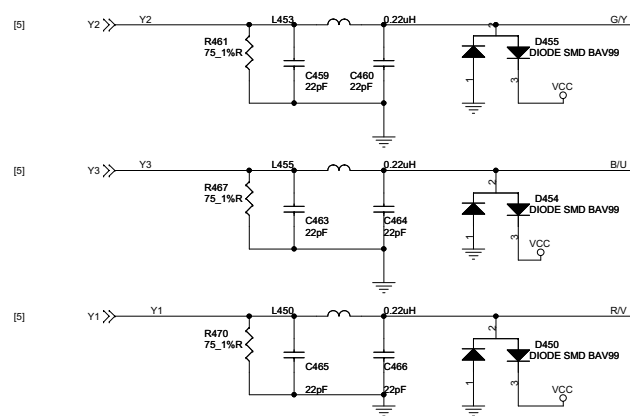
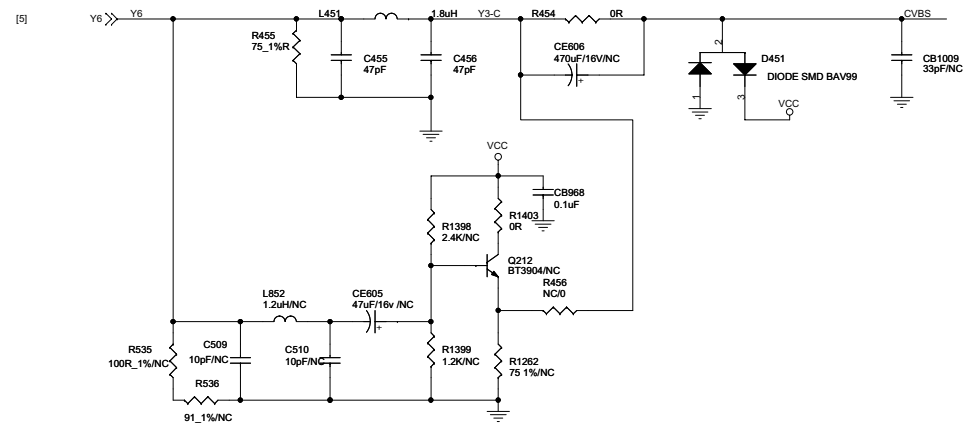
Main Board Circuit Diagram: VIDEO IN/OUT



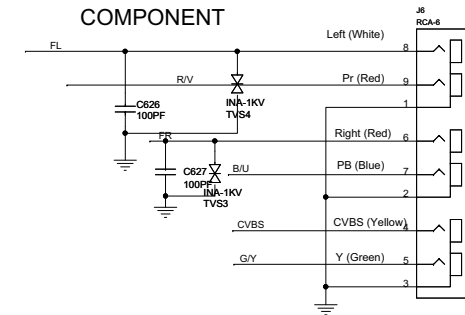
Main Board Circuit Diagram: VIDEO/OUTPUT & SPDIF OUT

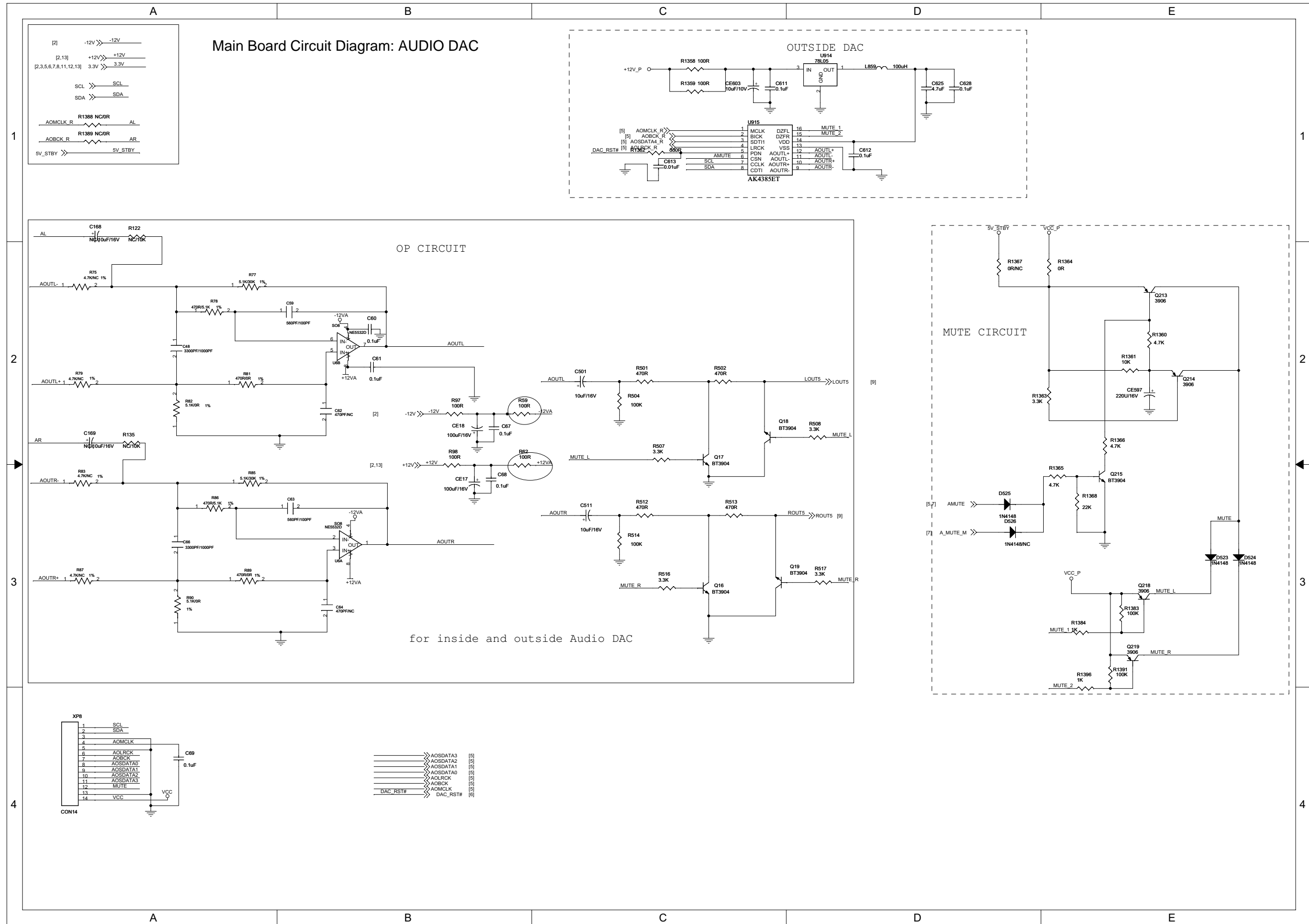


SPDIF OUTOUT

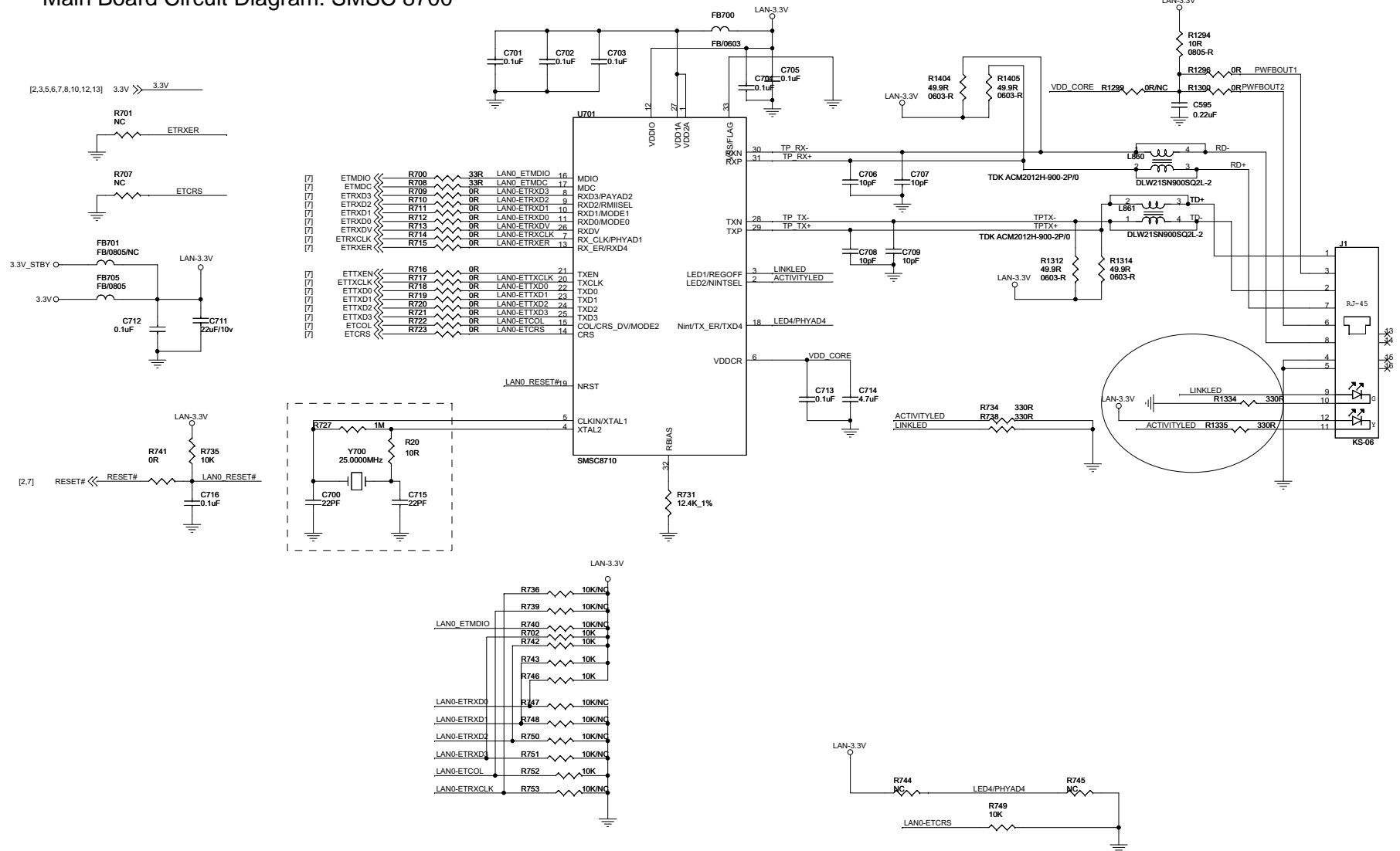


COMPONENT





Main Board Circuit Diagram: SMSC 8700

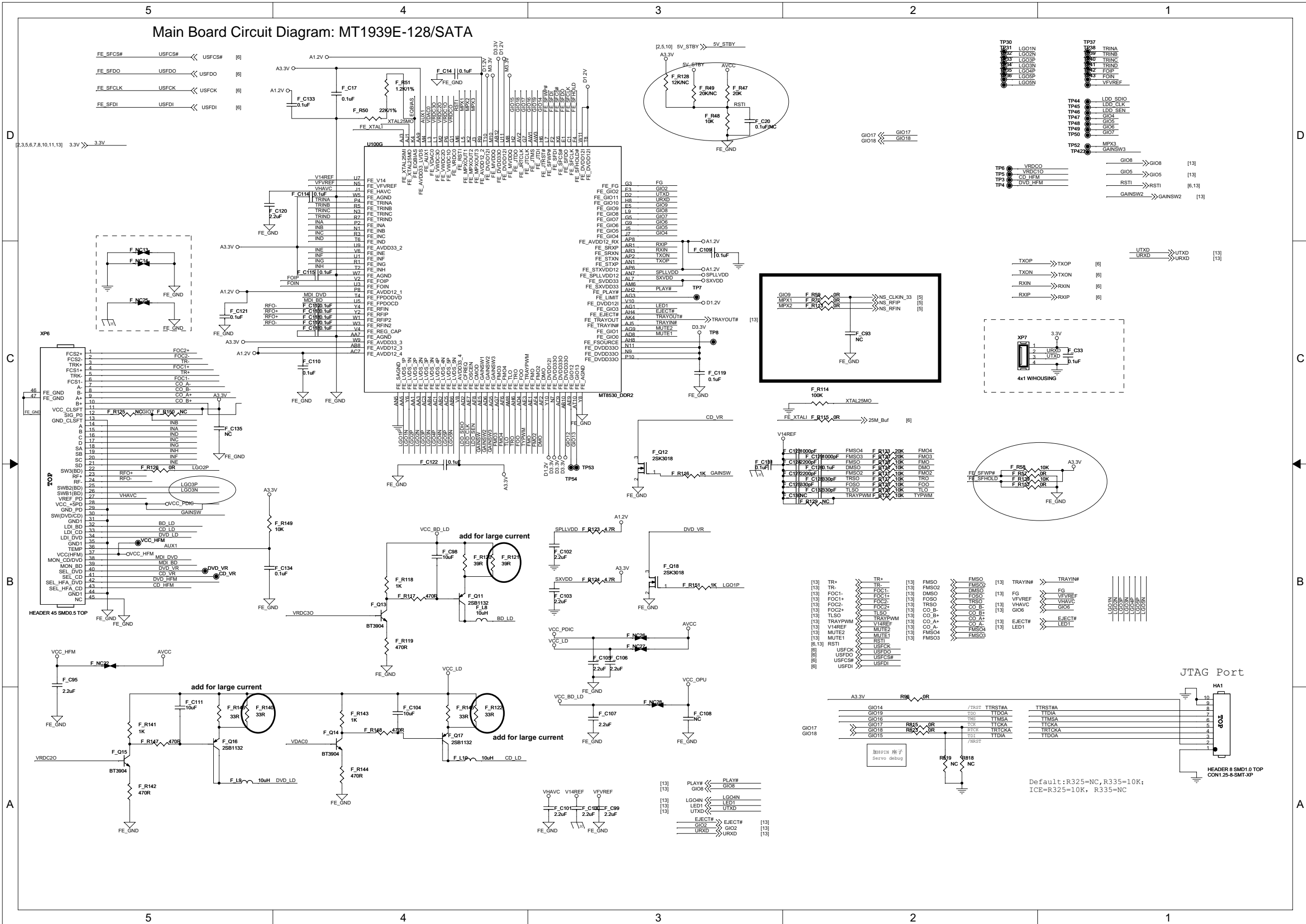


D
C
B
A

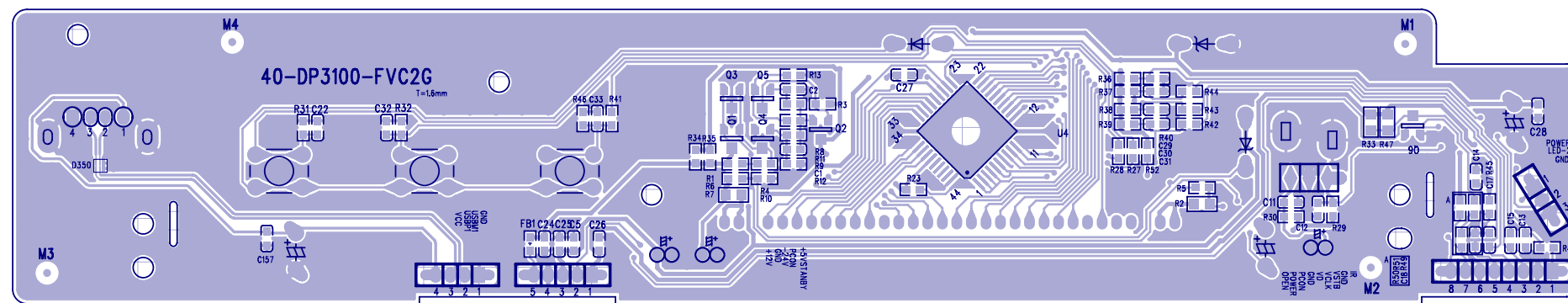
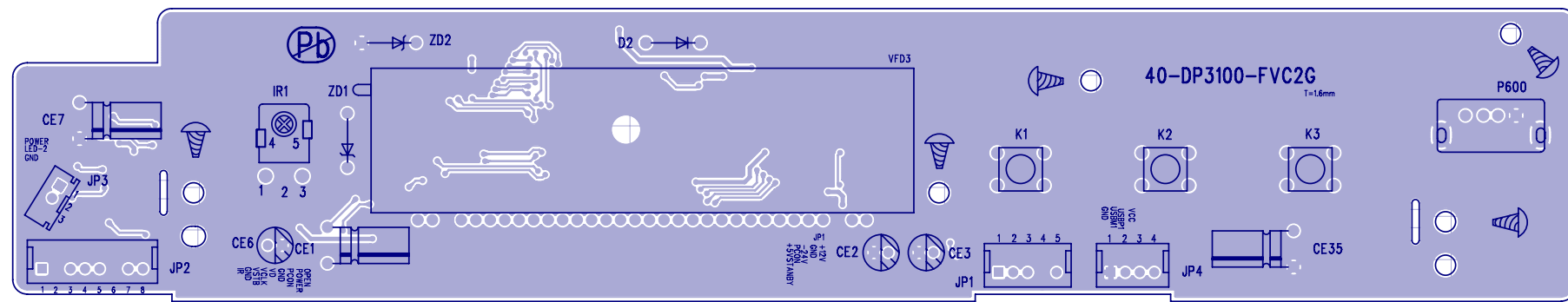
D
C
B
A

5 4 3 2 1

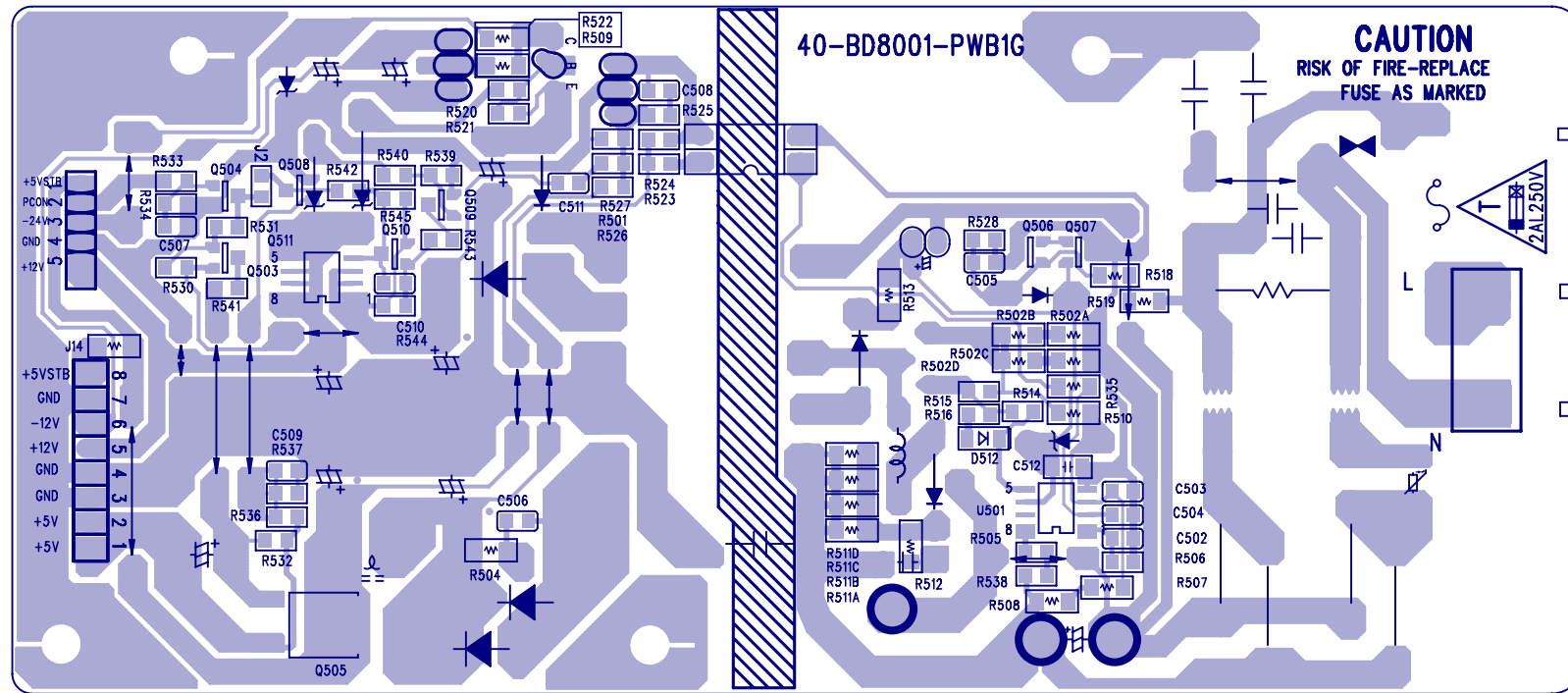
Main Board Circuit Diagram: MT1939E-128/SATA



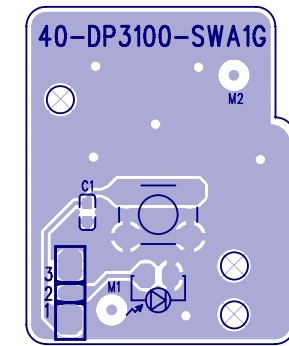
Front Board Print-layout (Top and Bottom side):



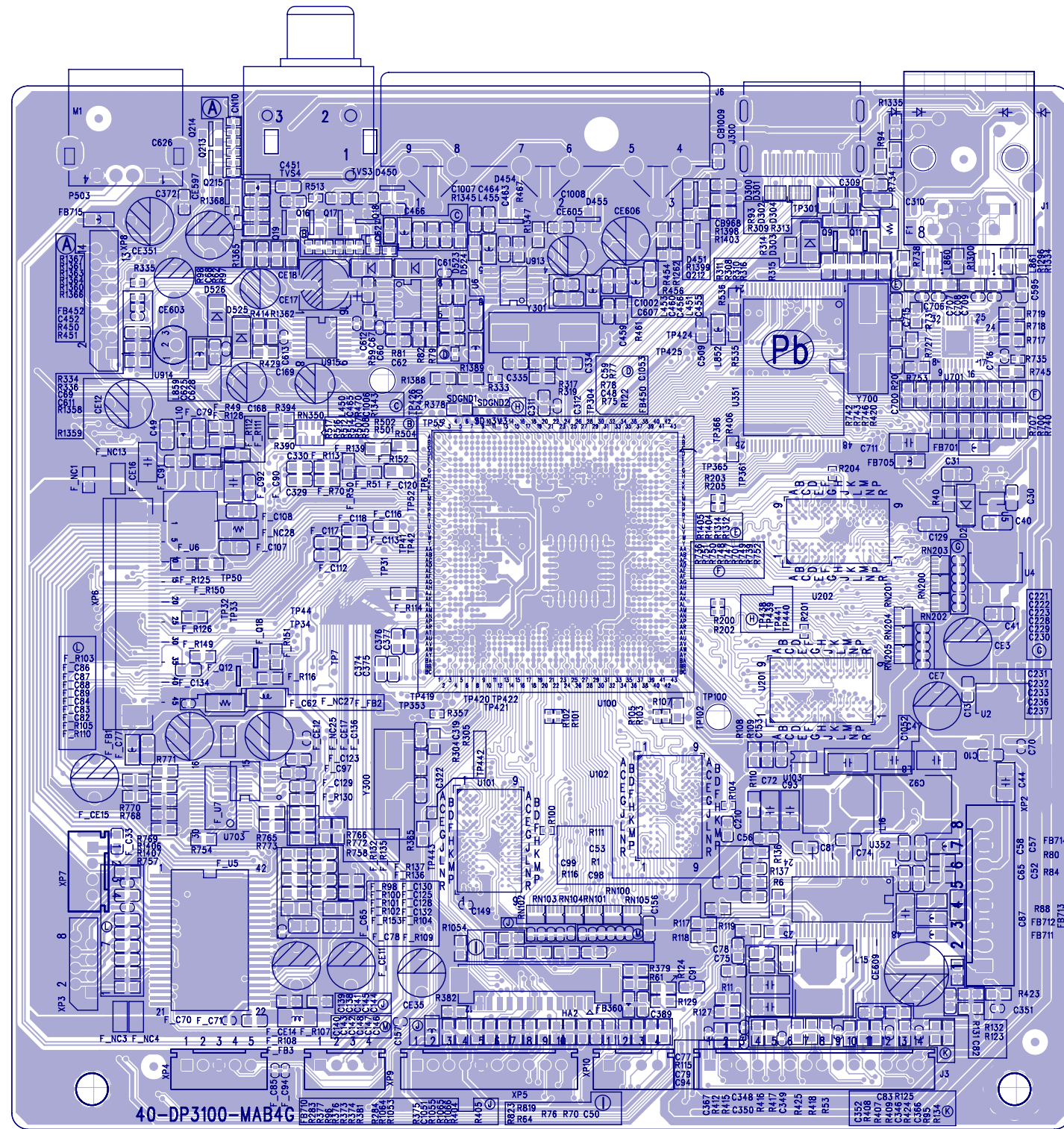
Power Board Print-layout (Bottom side):



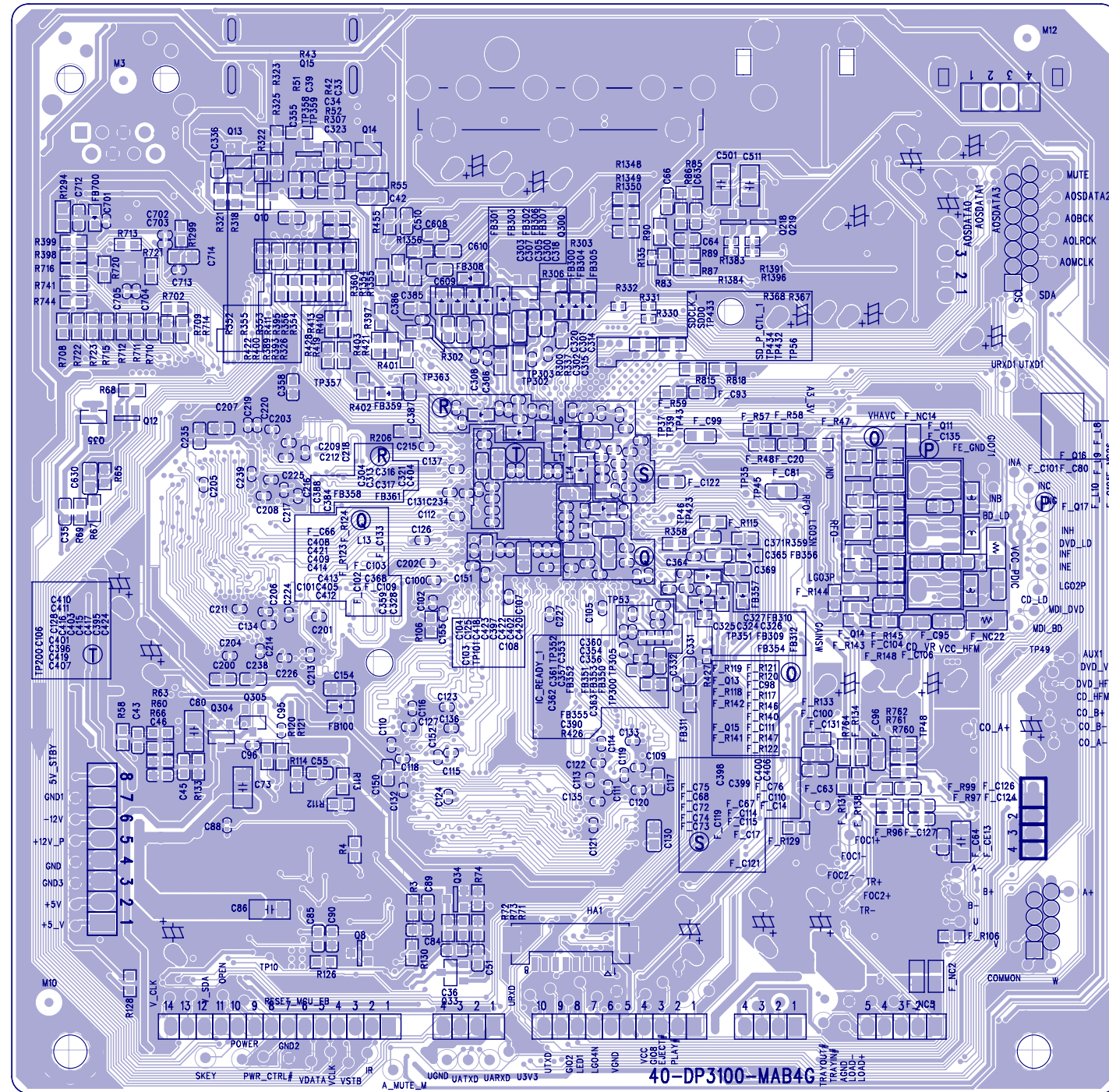
Switch Board Print-layout (Bottom side):



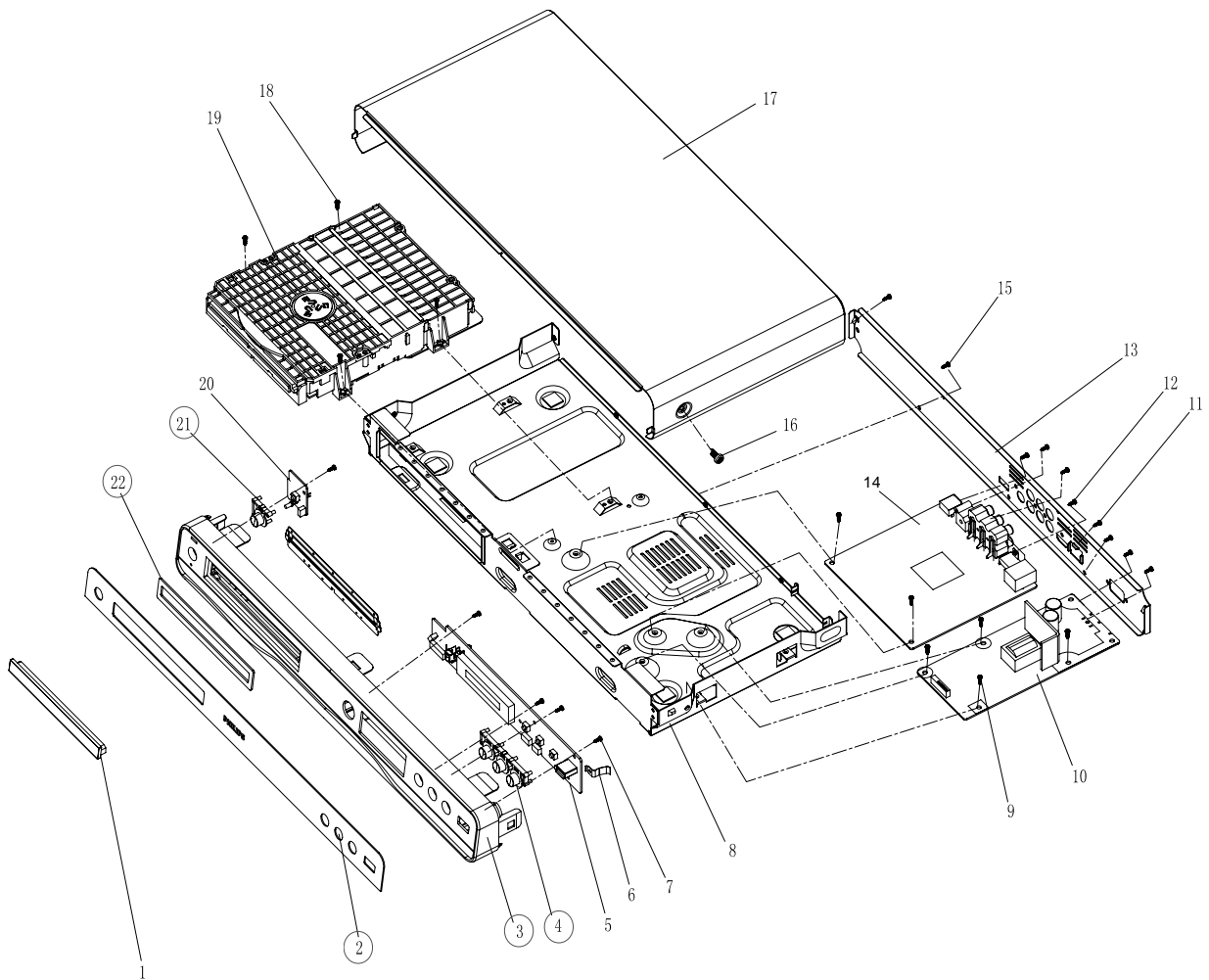
Main Board Print-layout (Top side):



Main Board Print-layout (Bottom side):



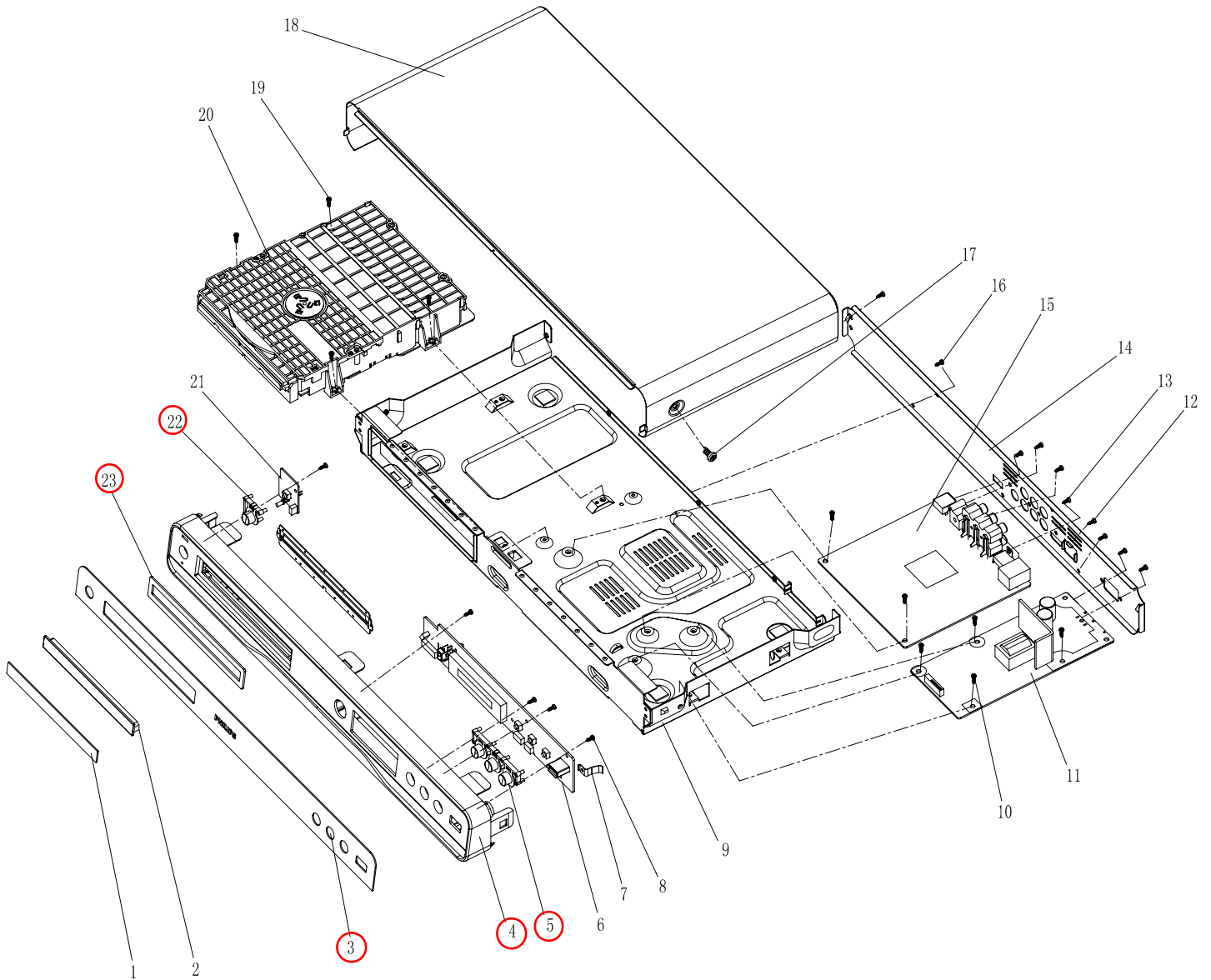
Exploded view for BDP3100/12/05/51/55/93/96/98/x78 , BDP3080/98



It is a general mechanical exploded view for BDP3100, BDP3080/98 pls refer to the model set for detailed information. ASSY1 includes components: 2.3.4.21.22

Exploded view for BDP5100/12/93/98/05:

EXPLODED VIEW FOR BDP5100/12/93/98/05



It is a general mechanical exploded view for BDP5100/12, pls refer to the model set for detailed information. ASSY1 includes components: 3,4,5,22,23

EXPLODED VIEW FOR BDP5100/12/93/98/05
ASS'Y 1 includes components 3,4,5,22,23

PARTS LIST: BDP3100/12

No.	12NC No.	Description	Q'ty
1	996510031264	FRONT DOOR	1
⚠ 10	996510031266	ASSY-POWER BOARD	1
13	996510031274	BACK PLATE	1
14	996510031443	ASSY-MAIN BOARD	1
17	996510031271	TOP COVER	1
19	996510031268	BLU-RAY DISK LOADER	1
20	996510031267	ASSY-SWITCH BOARD	1
5	996510031273	ASSY-FE BD	1
8	996510031272	BOTTOM PLATE	1
AVCABLE	996500020384	AUDIO/VIDEO CABLE 1	1
Assy1	996510031265	ASSY-FRONT PANEL	1
CN504	996510000546	8PIN HS	1
JP1	996510025834	CABLE 5P 130MM FH-JC20	1
JP2	996510029488	CABLE 9P 140MM FH-JC20	1
JP3	996510031263	FLAT WIRE 3P L200 PH-3Y/SAN-3P	1
JP4	996510031269	USB CABLE 4PIN 2MM300MMPH/JC20	1
⚠ PCORD	996510001537	POWER CORD 1.5M	1
RC	996510041223	REMOTE CONTROL	1

Screws List

No	12NC No.	Description	Q'ty
7	—	S/T SCREW B 2.6 X 6 BF	7
9	—	S/T SCREW	6
11/16	—	S/T SCREW B 3 X 8 BF	3/2
12	—	M/C SCREW 3 X 6 B	2
15	—	S/T SCREW B3 X 6 BF	9
18	—	S/T SCREW B 3 X 7 BF	4

SAFETY PRECAUTION

The parts identified by  mark are critical for safety. Replace only with part number specified.

The mounting position of replacement is to be identical with originals. The substitute replacement parts which do not have the same safety characteristics as specified in the parts list may create shock, fire or other hazards.

PARTS LIST: BDP3100/05

No.	12NC No.	Description	Q'ty
1	996510031264	FRONT DOOR	1
 10	996510031266	ASSY-PW BD	1
13	996510031274	BACK PLATE	1
14	996510031458	ASSY-MAIN BOARD /05	1
17	996510031271	TOP COVER	1
19	996510031268	BLU-RAY DISK LOADER	1
20	996510031267	ASSY-SW BD	1
5	996510031273	ASSY-FE BD	1
8	996510031272	BOTTOM PLATE	1
AVCABLE	996500020384	AUDIO/VIDEO CABLE 1	1
Assy1	996510031265	ASSY-FRONT PANEL	1
CN504	996510000546	8PIN HS	1
JP1	996510025834	CABLE 5P 130MM FH-JC20	1
JP2	996510029488	CABLE 9PIN 140MM FH-JC20	1
JP3	996510031263	FLAT WIRE 3P L200 PH-3Y/SAN-3P	1
JP4	996510031269	USB CABLE 4PIN 2MM300MMPH/JC20	1
PCORD	996510026331	POWER CORD	1
RC	996510041223	REMOTE CONTROL	1

Screws List


No	12NC No.	Description	Q'ty
7	—	S/T SCREW B 2.6 X 6 BF	7
9	—	S/T SCREW	6
11/16	—	S/T SCREW B 3 X 8 BF	3/2
12	—	M/C SCREW 3 X 6 B	2
15	—	S/T SCREW B3 X 6 BF	9
18	—	S/T SCREW B 3 X 7 BF	4

SAFETY PRECAUTION

The parts identified by  mark are critical for safety. Replace only with part number specified.

The mounting position of replacement is to be identical with originals. The substitute replacement parts which do not have the same safety characteristics as specified in the parts list may create shock, fire or other hazards.

PARTS LIST: BDP3100/51

No.	12NC No.	Description	Q'ty
1	996510031264	FRONT DOOR	1
 10	996510031266	ASSY-POWER BOARD	1
13	996510031274	BACK PLATE	1
14	996510031378	ASSY-MAIN BOARD	1
17	996510031271	TOP COVER	1
19	996510031268	BLU-RAY DISK LOADER	1
20	996510031267	ASSY-SWITCH BOARD	1
5	996510031273	ASSY-FRONT CONTROL BOARD	1
8	996510031272	BOTTOM PLATE	1
AVCABLE	996500020384	AUDIO/VIDEO CABLE	1
Assy1	996510031265	ASSY-FRONT PANEL	1
CN504	996510000546	8PIN HS	1
JP1	996510025834	CABLE 5P 130MM FH-JC20	1
JP2	996510029488	CABLE 9PIN 140MM FH-JC20	1
JP3	996510031263	FLAT WIRE 3P L200 PH-3Y/SAN-3P	1
JP4	996510031377	USB CABLE 4PIN L200MM	1
PCORD	996510001537	POWER CORD	1
RC	996510041223	REMOTE CONTROL	1
XP3	996510031379	8PIN WIRE PH1.0MM L100MM B	1

Screws List


No	12NC No.	Description	Q'ty
7	—	S/T SCREW B 2.6 X 6 BF	7
9	—	S/T SCREW	6
11/16	—	S/T SCREW B 3 X 8 BF	3/2
12	—	M/C SCREW 3 X 6 B	2
15	—	S/T SCREW B3 X 6 BF	9
18	—	S/T SCREW B 3 X 7 BF	4

SAFETY PRECAUTION

The parts identified by  mark are critical for safety. Replace only with part number specified.

The mounting position of replacement is to be identical with originals. The substitute replacement parts which do not have the same safety characteristics as specified in the parts list may create shock, fire or other hazards.

PARTS LIST: BDP5100/12

No.	12NC No.	Description	Q'ty
 11	996510031266	ASSY-PW BD	1
14	996510031556	BACK PLATE	1
15	996510031541	ASSY-MAIN BOARD	1
18	996510031557	TOP COVER	1
20	996510031268	BLU-RAY DISK LOADER	1
21	996510031267	ASSY-SW BD	1
6	996510031273	ASSY-FE BD	1
9	996510031272	BOTTOM PLATE	1
ASSY2	996510031558	ASSY FRONT DOOR	1
AVCABLE	996500020384	AUDIO/VIDEO CABLE 1.5M	1
Assy1	996510031573	ASSY FRONT PANEL	1
CN504	996510000546	8PIN HS	1
JP1	996510025834	CABLE 5P 130MM FH-JC20	1
JP2	996510029488	CABLE 9PIN 140MM FH-JC20	1
JP3	996510031263	FLAT WIRE 3P L200 PH-3Y/SAN-3P	1
JP4	996510031377	USB CABLE 4PIN L200MM	1
PCORD	996510001537	POWER CORD	1
RC	996510041223	REMOTE CONTROL	1
XP3	996510031379	8PIN WIRE PH1.0MM L100MM B	1

Screws List

No	12NC No.	Description	Q'ty
7	—	S/T SCREW B 2.6 X 6 BF	7
9	—	S/T SCREW	6
11/16	—	S/T SCREW B 3 X 8 BF	3/2
12	—	M/C SCREW 3 X 6 B	1
15	—	S/T SCREW B3 X 6 BF	9
18	—	S/T SCREW B 3 X 7 BF	4

SAFETY PRECAUTION

The parts identified by  mark are critical for safety. Replace only with part number specified.

The mounting position of replacement is to be identical with originals. The substitute replacement parts which do not have the same safety characteristics as specified in the parts list may create shock, fire or other hazards.

BDP3100/55 SERVICE PARTLIST

ELECTRICAL PARTLIST

No	12NC No.	Description	Q'ty
△ 11	996510031266	ASSY-PW BD	1
21	996510031267	ASSY-SW BOARD	1
6	996510031273	ASSY-FE BD	1
15	996510031262	ASSY-MAIN BD	1
20	996510031268	BLU-RAY DISK LOADER	1

ASSY-MAIN BD COMPONENT PARTLIST

No	12NC No.	Description	Q'ty
D300	996510026638	4-CHANNEL ESD SOLUTION	1
D301	996510026638	4-CHANNEL ESD SOLUTION	1
D5	996510020926	IC PDS5V0S1BA	1
D6	996510020926	IC PDS5V0S1BA	1
D7	996510020926	IC PDS5V0S1BA	1
D8	996510020926	IC PDS5V0S1BA	1
FU5	996510032919	SPINDLE MOTOR & ACTUATOR	1
FU6	996510032911	IC CW1117	1
TVS3	996510026617	IC PGB1010603	1
TVS4	996510026617	IC PGB1010603	1
U100	996510032915	BD DECODE IC MT8530	1
U101	996510032917	64X16MB DDR2 SDRAM	1
U102	996510032917	64X16MB DDR2 SDRAM	1
U103	996510032912	REGULATOR G2992B	1
U2	996510032951	IC AZ1117 LDO 3.3V-1.2V	1
U201	996510032918	IC NY512M DDR2 1066MHZ	1
U202	996510032918	IC NY512M DDR2 1066MHZ	1
U351	996510032916	2GB NAND FLASH	1
U352	996510032943	IC TPS652 PWR MANAGEMENT	1
U4	996510031778	IC 3.3V	1
U5	996510026642	IC G691L2	1
U6	996510010924	Dual operational amplifier	1
U701	996510032913	IC SMSC8710 HSSOP	1
U703	996510032929	MOTOR DRIVER IC TP1391	1
U914	996510026625	IC 78L050	1
U915	996510026652	IC 4385DA DAC	1

ASSY-FE BD COMPONENT PARTLIST

NO	12NC NO.	Description	Q'ty
IR1	996510026624	IR RECEIVER MODULE2.7-5.5V12mm	1
U4	996500026619	VFD DRIVER IC CS16312EN	1
VFD3	996510026633	VFD DISPLAY	1

ASSY-PW BD COMPONENT PARTLIST

NO	12NC NO.	Description	Q'ty
D501	996510011047	DIODE IN4007	1
D502	996510013568	DIODE FR107	1
D503	996500025702	DIODE SR3100	1
D504	996510013568	DIODE FR107	1
D505	996510009725	DIODE 2A1000V	1
D506	996510009725	DIODE 2A1000V	1
D507	996510009725	DIODE 2A1000V	1
D508	996510009725	DIODE 2A1000V	1
D509	996500027866	DIODE SR360 3A/60V	1
D510	996500027866	DIODE SR360 3A/60V	1
D511	996510002996	DIODE 1N4148 (SWITCHING)	1
L6	996510032944	COIL 3.3UH 6*8MM	1
LF501	996510026639	COMMON INDUCTANCE	1
T501	996510030215	TRANSFORMER (BCK-03EF25)	1
U501	996510030211	PWM IC NCP1271B	1
U502	996500024838	PC123X9YFZ	1
U503	996510032928	IC TL431A	1
U505	996510032914	POSITIVE VOLTAGE REGULATORS	1
ZD501	996510007898	DIODE ZENER 24V 1/2W 5%	1
ZD502	996500015716	DIODE ZENER 33V 1/2W 5%	1
ZD503	996510007898	DIODE ZENER 24V 1/2W 5%	1
ZD504	996510032942	DIODE ZENER BZX79-C11 11V _i ±5%	1

MECHANICAL PARTLIST

No	12NC No.	Description	Q'ty
△ 13	996510032947	BACK PLATE	1
△ 18	996510031271	TOP COVER	1
△ 9	996510031272	BOTTOM PLATE	1
△ AVCABLE	996500020384	AUDIO/VIDEO CABLE	1
FrPanel	996510032941	FRONT PANEL	1
△ PC	996510001175	POWER CORD	1
CN504	996510000546	8PIN HS	1
JP1	996510025834	CABLE 5P 130MM FH-JC20	1
JP2	996510032945	8PIN LINE	1
JP3	996510031263	FLAT WIRE 3P L200 PH-3Y/SAN-3P	1
JP4	996510032946	4PIN CABLE	1
RC	996510041223	REMOTE CONTROL	1
XP3	996510031379	8PIN WIRE PH1.0MM L100MM B	1

Screws List

No	12NC No.	Description	Q'ty
7	—	S/T SCREW B 2.6 X 6 BF	7
9	—	S/T SCREW	6
11/16	—	S/T SCREW B 3 X 8 BF	3/2
12	—	M/C SCREW 3 X 6 B	1
15	—	S/T SCREW B3 X 6 BF	9
18	—	S/T SCREW B 3 X 7 BF	4

BDP3100/93 SERVICE PARTLIST

ELECTRICAL PARTLIST

No	12NC No.	Description	Q'ty
△ 11	996510031266	ASSY-PW BD	1
21	996510031267	ASSY-SW BOARD	1
6	996510031273	ASSY-FE BD	1
15	996510031262	ASSY-MAIN BD	1
20	996510031268	BLU-RAY DISK LOADER	1

ASSY-MAIN BD COMPONENT PARTLIST

No	12NC No.	Description	Q'ty
D300	996510026638	4-CHANNEL ESD SOLUTION	1
D301	996510026638	4-CHANNEL ESD SOLUTION	1
D5	996510020926	IC PESD5V0S1BA	1
D6	996510020926	IC PESD5V0S1BA	1
D7	996510020926	IC PESD5V0S1BA	1
D8	996510020926	IC PESD5V0S1BA	1
FU5	996510032919	SPINDLE MOTOR & ACTUATOR	1
FU6	996510032911	IC CW1117	1
TVS3	996510026617	IC PGB1010603	1
TVS4	996510026617	IC PGB1010603	1
U100	996510032915	BD DECODE IC MT8530	1
U101	996510032917	64X16MB DDR2 SDRAM	1
U102	996510032917	64X16MB DDR2 SDRAM	1
U103	996510032912	REGULATOR G2992B	1
U2	996510032951	IC AZ1117 LDO 3.3V-1.2V	1
U201	996510032918	IC NY512M DDR2 1066MHZ	1
U202	996510032918	IC NY512M DDR2 1066MHZ	1
U351	996510032916	2GB NAND FLASH	1
U352	996510032943	IC TPS652 PWR MANAGEMENT	1
U4	996510031778	IC 3.3V	1
U5	996510026642	IC G691L2	1
U6	996510010924	Dual operational amplifier	1
U701	996510032913	IC SMSC8710 HSSOP	1
U703	996510032929	MOTOR DRIVER IC TP1391	1
U914	996510026625	IC 78L050	1
U915	996510026652	IC 4385DA DAC	1

ASSY-FE BD COMPONENT PARTLIST

No	12NC No.	Description	Q'ty
IR1	996510026624	IR RECEIVER MODULE2.7-5.5V12mm	1
U4	996500026619	VFD DRIVER IC CS16312EN	1
VFD3	996510026633	VFD DISPLAY	1

ASSY-PW BD COMPONENT PARTLIST

No	12NC NO.	Description	Q'ty
D501	996510011047	DIODE IN4007	1
D502	996510013568	DIODE FR107	1
D503	996500025702	DIODE SR3100	1
D504	996510013568	DIODE FR107	1
D505	996510009725	DIODE 2A1000V	1
D506	996510009725	DIODE 2A1000V	1
D507	996510009725	DIODE 2A1000V	1
D508	996510009725	DIODE 2A1000V	1
D509	996500027866	DIODE SR360 3A/60V	1
D510	996500027866	DIODE SR360 3A/60V	1
D511	996510002996	DIODE 1N4148 (SWITCHING)	1
L6	996510032944	COIL 3.3UH 6*8MM	1
LF501	996510026639	COMMON INDUCTANCE	1
T501	996510030215	TRANSFORMER (BCK-03EF25)	1
U501	996510030211	PWM IC NCP1271B	1
U502	996500024838	PC123X9YFZ	1
U503	996510032928	IC TL431A	1
U505	996510032914	POSITIVE VOLTAGE REGULATORS	1
ZD501	996510007898	DIODE ZENER 24V 1/2W 5%	1
ZD502	996500015716	DIODE ZENER 33V 1/2W 5%	1
ZD503	996510007898	DIODE ZENER 24V 1/2W 5%	1
ZD504	996510032942	DIODE ZENER BZX79-C11 11V _i ±5%	1

MECHANICAL PARTLIST

No	12NC No.	Description	Q'ty
△ 13	996510032952	BACK PLATE	1
△ 18	996510031271	TOP COVER	1
A	996510032957	GIFT BOX	1
△ AVCABLE	996500020384	AUDIO/VIDEO CABLE	1
FrPanel	996510032941	FRONT PANEL	1
△ PC	996510009517	POWER CORD	1
B	996510032955	USER MANUAL	1
C	996510019880	Worldwideguarantcard	1
CN504	996510000546	8PIN HS	1
CN504	996510032954	QSG	1
D	996510018311	ACCESSORY BAG	1
E	996510032956	POLY BAG	4
F	996510027111	PAPER PAD	1
G	996510027106	PAPER PAD	1
H	996500033761	SERVICE GUARANTEE	1
I	996500042132	SERVICE HOT LINE	1
JP1	996510025834	CABLE 5P 130MM FH-JC20	1
JP2	996510032945	8PIN LINE	1
JP3	996510031263	FLAT WIRE 3P L200 PH-3Y/SAN-3P	1
JP4	996510032946	4PIN CABLE	1
RC	996510041223	REMOTE CONTROL	1
XP3	996510031379	8PIN WIRE PH1.0MM L100MM B	1

Screws List

No	12NC No.	Description	Q'ty
7	—	S/T SCREW B 2.6 X 6 BF	7
9	—	S/T SCREW	6
11/16	—	S/T SCREW B 3 X 8 BF	3/2
12	—	M/C SCREW 3 X 6 B	1
15	—	S/T SCREW B3 X 6 BF	9
18	—	S/T SCREW B 3 X 7 BF	4

BDP3100/98 SERVICE PARTLIST

ELECTRICAL PARTLIST

No	12NC No.	Description	Q'ty
△ 11	996510031266	ASSY-PW BD	1
21	996510031267	ASSY-SW BOARD	1
6	996510031273	ASSY-FE BD	1
15	996510031262	ASSY-MAIN BD	1
20	996510031268	BLU-RAY DISK LOADER	1

ASSY-MAIN BD COMPONENT PARTLIST

No	12NC No.	Description	Q'ty
D300	996510026638	4-CHANNEL ESD SOLUTION	1
D301	996510026638	4-CHANNEL ESD SOLUTION	1
D5	996510020926	IC PESD5V0S1BA	1
D6	996510020926	IC PESD5V0S1BA	1
D7	996510020926	IC PESD5V0S1BA	1
D8	996510020926	IC PESD5V0S1BA	1
FU5	996510032919	SPINDLE MOTOR & ACTUATOR	1
FU6	996510032911	IC CW1117	1
TVS3	996510026617	IC PGB1010603	1
TVS4	996510026617	IC PGB1010603	1
U100	996510032915	BD DECODE IC MT8530	1
U101	996510032917	64X16MB DDR2 SDRAM	1
U102	996510032917	64X16MB DDR2 SDRAM	1
U103	996510032912	REGULATOR G2992B	1
U2	996510032951	IC AZ1117 LDO 3.3V-1.2V	1
U201	996510032918	IC NY512M DDR2 1066MHZ	1
U202	996510032918	IC NY512M DDR2 1066MHZ	1
U351	996510032916	2GB NAND FLASH	1
U352	996510032943	IC TPS652 PWR MANAGEMENT	1
U4	996510031778	IC 3.3V	1
U5	996510026642	IC G691L2	1
U6	996510010924	Dual operational amplifier	1
U701	996510032913	IC SMSC8710 HSSOP	1
U703	996510032929	MOTOR DRIVER IC TP1391	1
U914	996510026625	IC 78L050	1
U915	996510026652	IC 4385DA DAC	1

ASSY-FE BD COMPONENT PARTLIST

NO	12NC NO.	Description	Q'ty
IR1	996510026624	IR RECEIVER MODULE2.7-5.5V12mm	1
U4	996500026619	VFD DRIVER IC CS16312EN	1
VFD3	996510026633	VFD DISPLAY	1

ASSY-PW BD COMPONENT PARTLIST

NO	12NC NO.	Description	Q'ty
D501	996510011047	DIODE IN4007	1
D502	996510013568	DIODE FR107	1
D503	996500025702	DIODE SR3100	1
D504	996510013568	DIODE FR107	1
D505	996510009725	DIODE 2A1000V	1
D506	996510009725	DIODE 2A1000V	1
D507	996510009725	DIODE 2A1000V	1
D508	996510009725	DIODE 2A1000V	1
D509	996500027866	DIODE SR360 3A/60V	1
D510	996500027866	DIODE SR360 3A/60V	1
D511	996510002996	DIODE 1N4148 (SWITCHING)	1
L6	996510032944	COIL 3.3UH 6*8MM	1
LF501	996510026639	COMMON INDUCTANCE	1
T501	996510030215	TRANSFORMER (BCK-03EF25)	1
U501	996510030211	PWM IC NCP1271B	1
U502	996500024838	PC123X9YFZ	1
U503	996510032928	IC TL431A	1
U505	996510032914	POSITIVE VOLTAGE REGULATORS	1
ZD501	996510007898	DIODE ZENER 24V 1/2W 5%	1
ZD502	996500015716	DIODE ZENER 33V 1/2W 5%	1
ZD503	996510007898	DIODE ZENER 24V 1/2W 5%	1
ZD504	996510032942	DIODE ZENER BZX79-C11 11V _i ±5%	1

MECHANICAL PARTLIST

No	12NC No.	Description	Q'ty
△ B	996510032953	BACK PLATE	1
△ 18	996510031271	TOP COVER	1
△ A	996510031272	BOTTOM PLATE	1
△ AVCABLE	996500020384	AUDIO/VIDEO CABLE 1	1
CN504	996510000546	8PIN HS	1
JP1	996510025834	CABLE 5P 130MM FH-JC20	1
JP2	996510032945	8PIN LINE	1
JP3	996510031263	FLAT WIRE 3P L200 PH-3Y/SAN-3P	1
JP4	996510032946	4PIN CABLE	1
△ PC	996510001537	POWER CORD	1
RC	996510041223	REMOTE CONTROL	1
XP3	996510031379	8PIN WIRE PH1.0MM L100MM B	1

Screws List

No	12NC No.	Description	Q'ty
7	—	S/T SCREW B 2.6 X 6 BF	7
9	—	S/T SCREW	6
11/16	—	S/T SCREW B 3 X 8 BF	3/2
12	—	M/C SCREW 3 X 6 B	1
15	—	S/T SCREW B3 X 6 BF	9
18	—	S/T SCREW B 3 X 7 BF	4

BDP3100X/78 SERVICE PARTLIST

ELECTRICAL PARTLIST

No	12NC No.	Description	Q'ty
△ 10	996510031266	ASSY-PW BD	1
20	996510031267	ASSY-SW BOARD	1
5	996510031273	ASSY-FE BD	1
14	996510031262	ASSY-MAIN BD	1
19	996510031268	BLU-RAY DISK LOADER	1

ASSY-MAIN BD COMPONENT PARTLIST

No	12NC No.	Description	Q'ty
D300	996510026638	4-CHANNEL ESD SOLUTION	1
D301	996510026638	4-CHANNEL ESD SOLUTION	1
D5	996510020926	IC PESD5V0S1BA	1
D6	996510020926	IC PESD5V0S1BA	1
D7	996510020926	IC PESD5V0S1BA	1
D8	996510020926	IC PESD5V0S1BA	1
FU5	996510032919	SPINDLE MOTOR & ACTUATOR	1
FU6	996510032911	IC CW1117	1
TVS3	996510026617	IC PGB1010603	1
TVS4	996510026617	IC PGB1010603	1
U100	996510032915	BD DECODE IC MT8530	1
U101	996510032917	64X16MB DDR2 SDRAM	1
U102	996510032917	64X16MB DDR2 SDRAM	1
U103	996510032912	REGULATOR G2992B	1
U2	996510032951	IC AZ1117 LDO 3.3V-1.2V	1
U201	996510032918	IC NY512M DDR2 1066MHZ	1
U202	996510032918	IC NY512M DDR2 1066MHZ	1
U351	996510032916	2GB NAND FLASH	1
U352	996510032943	IC TPS652 PWR MANAGEMENT	1
U4	996510031778	IC 3.3V	1
U5	996510026642	IC G691L2	1
U6	996510010924	Dual operational amplifier	1
U701	996510032913	IC SMSC8710 HSSOP	1
U703	996510032929	MOTOR DRIVER IC TP1391	1
U914	996510026625	IC 78L050	1
U915	996510026652	IC 4385DA DAC	1

ASSY-FE BD COMPONENT PARTLIST

No	12NC No.	Description	Q'ty
IR1	996510026624	IR RECEIVER MODULE2.7-5.5V12mm	1
U4	996500026619	VFD DRIVER IC CS16312EN	1
VFD3	996510026633	VFD DISPLAY	1

ASSY-PW BD COMPONENT PARTLIST

No	12NC No.	Description	Q'ty
D501	996510011047	DIODE IN4007	1
D502	996510013568	DIODE FR107	1
D503	996500025702	DIODE SR3100	1
D504	996510013568	DIODE FR107	1
D505	996510009725	DIODE 2A1000V	1
D506	996510009725	DIODE 2A1000V	1
D507	996510009725	DIODE 2A1000V	1
D508	996510009725	DIODE 2A1000V	1
D509	996500027866	DIODE SR360 3A/60V	1
D510	996500027866	DIODE SR360 3A/60V	1
D511	996510002996	DIODE 1N4148 (SWITCHING)	1
L6	996510032944	COIL 3.3UH 6*8MM	1
LF501	996510026639	COMMON INDUCTANCE	1
T501	996510030215	TRANSFORMER (BCK-03EF25)	1
U501	996510030211	PWM IC NCP1271B	1
U502	996500024838	PC123X9YFZ	1
U503	996510032928	IC TL431A	1
U505	996510032914	POSITIVE VOLTAGE REGULATORS	1
ZD501	996510007898	DIODE ZENER 24V 1/2W 5%	1
ZD502	996500015716	DIODE ZENER 33V 1/2W 5%	1
ZD503	996510007898	DIODE ZENER 24V 1/2W 5%	1
ZD504	996510032942	DIODE ZENER BZX79-C11 11V _i ±5%	1

MECHANICAL PARTLIST

No	12NC No.	Description	Q'ty
13	996510031274	BACK PLATE	1
17	996510031271	TOP COVER	1
1	996510031264	FRONT DOOR	1
AVCABLE	996500020384	AUDIO/VIDEO CABLE 1	1
△ PCORD	996510001175	POWER CORD	1
8	996510031272	BOTTOM PLATE	1
Assy1	996510031265	ASSY-FRONT PANEL	1
CN504	996510000546	8PIN HS	1
JP1	996510025834	CABLE 5P 130MM FH-JC20	1
JP2	996510029488	CABLE 9PIN 140MM FH-JC20	1
JP3	996510031263	FLAT WIRE 3P L200 PH-3Y/SAN-3P	1
JP4	996510031269	USB CABLE 4PIN 2MM300MMPH/JC20	1
RC	996510041223	REMOTE CONTROL	1

Screws List

No	12NC No.	Description	Q'ty
7	—	S/T SCREW B 2.6 X 6 BF	7
9	—	S/T SCREW	6
11/16	—	S/T SCREW B 3 X 8 BF	3/2
12	—	M/C SCREW 3 X 6 B	1
15	—	S/T SCREW B3 X 6 BF	9
18	—	S/T SCREW B 3 X 7 BF	4

BDP3100/96 SERVICE PARTLIST

ELECTRICAL PARTLIST

No	12NC No.	Description	Q'ty
15	996510034431	ASSY-MAIN BOARD	1
21	996510031267	ASSY-SW BOARD	1
6	996510031273	ASSY-FE BOARD	1
△ 11	996510031266	ASSY-PW BD	1
20	996510034417	ASA BOARD P021-C	1
OPU	996510031268	OPU	1

ASSY-MAIN BD COMPONENT PARTLIST

NO	12NC NO.	Description	Q'ty
D300	996510026638	4-CHANNEL ESD SOLUTION	1
D301	996510026638	4-CHANNEL ESD SOLUTION	1
D5	996510020926	IC PDS5V0S1BA	1
D6	996510020926	IC PDS5V0S1BA	1
D7	996510020926	IC PDS5V0S1BA	1
D8	996510020926	IC PDS5V0S1BA	1
FU5	996510032919	SPINDLE MOTOR & ACTUATOR	1
FU6	996510032911	IC CW1117	1
TVS3	996510026617	IC PGB1010603	1
TVS4	996510026617	IC PGB1010603	1
U100	996510032915	BD DECODE IC MT8530	1
U101	996510032917	64X16MB DDR2 SDRAM	1
U102	996510032917	64X16MB DDR2 SDRAM	1
U103	996510032912	REGULATOR G2992B	1
U2	996510032951	IC AZ1117 LDO 3.3V-1.2V	1
U201	996510032918	IC NY512M DDR2 1066MHZ	1
U202	996510032918	IC NY512M DDR2 1066MHZ	1
U351	996510034432	IC 2GB NAND FLASH BDP3100/96	1
U352	996510032943	IC TPS652 PWR MANAGEMENT	1
U4	996510031778	IC 3.3V	1
U5	996510026642	IC G691L2	1
U6	996510010924	Dual operational amplifier	1
U701	996510032913	IC SMSC8710 HSSOP	1
U703	996510032929	MOTOR DRIVER IC TP1391	1
U914	996510026625	IC 78L050	1
U915	996510026652	IC 4385DA DAC	1
Y300	996510026621	CRYSTAL 25MHZ	1
Y301	996510026628	CRYSTAL 27MHZ	1
Y700	996510026621	CRYSTAL 25MHZ	1

ASSY-FE BD COMPONENT PARTLIST

NO	12NC NO.	Description	Q'ty
IR1	996510026624	IR RECEIVER MODULE2.7-5.5V12mm	1
U4	996500026619	VFD DRIVER IC CS16312EN	1
VFD3	996510026633	VFD DISPLAY	1

ASSY-PW BD COMPONENT PARTLIST

NO	12NC NO.	Description	Q'ty
D501	996510011047	DIODE IN4007	1
D502	996510013568	DIODE FR107	1
D503	996500025702	DIODE SR3100	1
D504	996510013568	DIODE FR107	1
D505	996510009725	DIODE 2A1000V	1
D506	996510009725	DIODE 2A1000V	1
D507	996510009725	DIODE 2A1000V	1
D508	996510009725	DIODE 2A1000V	1
D509	996500027866	DIODE SR360 3A/60V	1
D510	996500027866	DIODE SR360 3A/60V	1
D511	996510002996	DIODE 1N4148 (SWITCHING)	1
L6	996510032944	COIL 3.3UH 6*8MM	1
LF501	996510026639	COMMON INDUCTANCE	1
△ T501	996510030215	TRANSFORMER (BCK-03EF25)	1
U501	996510030211	PWM IC NCP1271B	1
U502	996500024838	PC123X9YFZ	1
U503	996510032928	IC TL431A	1
U505	996510032914	POSITIVE VOLTAGE REGULATORS	1
ZD501	996510007898	DIODE ZENER 24V 1/2W 5%	1
ZD502	996500015716	DIODE ZENER 33V 1/2W 5%	1
ZD503	996510007898	DIODE ZENER 24V 1/2W 5%	1
ZD504	996510032942	DIODE ZENER BZX79-C11 11V _i ±5%	1

MECHANICAL PARTLIST

No	12NC No.	Description	Q'ty
14	996510032953	BACK PLATE	1
18	996510031271	TOP COVER	1
9	996510031272	BOTTOM PLATE	1
AVCABLE	996500020384	AUDIO/VIDEO CABLE 1	1
Assy1	996510031265	ASSY-FRONT PANEL	1
CN504	996510000546	8PIN HS	1
JP1	996510025834	CABLE 5P 130MM FH-JC20	1
JP2	996510032945	8PIN LINE	1
JP3	996510031263	FLAT WIRE 3P L200 PH-3Y/SAN-3P	1
JP4	996510032946	4PIN CABLE	1
△ PC	996510027102	POWER CORD	1
RC	996510041223	REMOTE CONTROL	1
XP3	996510031379	8PIN WIRE PH1.0MM L100MM B	1

Screws List

No	12NC No.	Description	Q'ty
8	—	S/T SCREW B 2.6 X 6 BF	6
10	—	TRIANGLE M/C SCREW B 3 X 6	6
12	—	S/T SCREW B 3 X 8 BF	4
13	—	M/C SCREW 3 X 6 B	1
16	—	S/T SCREW B3 X 6 BF	7
17	—	S/T SCREW B3 X 6 BF	2
19	—	S/T SCREW B 3 X 7 BF	4

BDP5100/93 SERVICE PARTLIST

ELECTRICAL PARTLIST

No	12NC No.	Description	Q'ty
15	996510034426	ASSY-MAIN BOARD	1
21	996510031267	ASSY-SW BOARD	1
6	996510031273	ASSY-FE BOARD	1
△ 11	996510031266	ASSY-PW BD	1
20	996510034417	ASA BOARD	1

ASSY-MAIN BD COMPONENT PARTLIST

NO	12NC NO.	Description	Q'ty
D300	996510026638	4-CHANNEL ESD SOLUTION	1
D301	996510026638	4-CHANNEL ESD SOLUTION	1
D5	996510020926	IC PDS5V0S1BA	1
D6	996510020926	IC PDS5V0S1BA	1
D7	996510020926	IC PDS5V0S1BA	1
D8	996510020926	IC PDS5V0S1BA	1
FU5	996510032919	SPINDLE MOTOR & ACTUATOR	1
FU6	996510032911	IC CW1117	1
TVS3	996510026617	IC PGB1010603	1
TVS4	996510026617	IC PGB1010603	1
U100	996510034419	IC MT8530 BD DECODE	1
U101	996510032917	64X16MB DDR2 SDRAM	1
U102	996510032917	64X16MB DDR2 SDRAM	1
U103	996510032912	REGULATOR G2992B	1
U2	996510032951	IC AZ1117 LDO 3.3V-1.2V	1
U201	996510032918	IC NY512M DDR2 1066MHZ	1
U202	996510032918	IC NY512M DDR2 1066MHZ	1
U351	996510034429	IC 2GB NAND FLASH BDP5100/93	1
U352	996510032943	IC TPS652 PWR MANAGEMENT	1
U4	996510031778	IC 3.3V	1
U5	996510026642	IC G691L2	1
U6	996510010924	Dual operational amplifier	1
U701	996510032913	IC SMSC8710 HSSOP	1
U703	996510032929	MOTOR DRIVER IC TP1391	1
U914	996510026625	IC 78L050	1
U915	996510026652	IC 4385DA DAC	1

ASSY-FE BD COMPONENT PARTLIST

NO	12NC NO.	Description	Q'ty
IR1	996510026624	IR RECEIVER MODULE2.7-5.5V12mm	1
U4	996500026619	VFD DRIVER IC CS16312EN	1
VFD3	996510026633	VFD DISPLAY	1

ASSY-PW BD COMPONENT PARTLIST

NO	12NC NO.	Description	Q'ty
D501	996510011047	DIODE IN4007	1
D502	996510013568	DIODE FR107	1
D503	996500025702	DIODE SR3100	1
D504	996510013568	DIODE FR107	1
D505	996510009725	DIODE 2A1000V	1
D506	996510009725	DIODE 2A1000V	1
D507	996510009725	DIODE 2A1000V	1
D508	996510009725	DIODE 2A1000V	1
D509	996500027866	DIODE SR360 3A/60V	1
D510	996500027866	DIODE SR360 3A/60V	1
D511	996510002996	DIODE 1N4148 (SWITCHING)	1
L6	996510032944	COIL 3.3UH 6*8MM	1
LF501	996510026639	COMMON INDUCTANCE	1
△ T501	996510030215	TRANSFORMER (BCK-03EF25)	1
U501	996510030211	PWM IC NCP1271B	1
U502	996500024838	PC123X9YFZ	1
U503	996510032928	IC TL431A	1
U505	996510032914	POSITIVE VOLTAGE REGULATORS	1
ZD501	996510007898	DIODE ZENER 24V 1/2W 5%	1
ZD502	996500015716	DIODE ZENER 33V 1/2W 5%	1
ZD503	996510007898	DIODE ZENER 24V 1/2W 5%	1
ZD504	996510032942	DIODE ZENER BZX79-C11 11V _i ±5%	1

MECHANICAL PARTLIST

No	12NC No.	Description	Q'ty
14	996510034428	BACK PLATE	1
18	996510031557	TOP COVER	1
9	996510031272	BOTTOM PLATE	1
ASSY2	996510031558	ASSY FRONT DOOR	1
AVCABLE	996500020384	AUDIO/VIDEO CABLE 1	1
Assy1	996510031573	ASSY FRONT PANEL	1
BAG	996510018311	ACCESSORY BAG	1
CN504	996510000546	8PIN HS	1
GIFTBOX	996510034424	GIFT BOX	1
HOTLINE	996500042132	SERVICE HOT LINE	1
JP1	996510025834	CABLE 5P 130MM FH-JC20	1
JP2	996510032945	8PIN LINE	1
JP3	996510031263	FLAT WIRE 3P L200 PH-3Y/SAN-3P	1
JP4	996510032946	4PIN CABLE	1
LPAD	996510027106	PAPER PAD	1
MANUAL	996510034427	USER MANUAL	1
OPU	996510031268	BLU-RAY DISK LOADER	1
△ PC	996510009517	POWER CORD	1
POLYBAG	996510032956	POLY BAG	1
QSG	996510034425	QSG	1
RC	996510041223	REMOTE CONTROL	1
RPAD	996510027111	PAPER PAD	1
SG	996500033761	SERVICE GUARANTEE	1
WC	996510019880	Worldwideguarantcard	1
XP3	996510031379	8PIN WIRE PH1.0MM L100MM B	1

Screws List

No	12NC No.	Description	Q'ty
8	—	S/T SCREW B 2.6 X 6 BF	6
10	—	TRIANGLE M/C SCREW B 3 X 6	6
12	—	S/T SCREW B 3 X 8 BF	4
13	—	M/C SCREW 3 X 6 B	1
16	—	S/T SCREW B3 X 6 BF	7
17	—	S/T SCREW B3 X 6 BF	2
19	—	S/T SCREW B 3 X 7 BF	4

BDP5100/98 SERVICE PARTLIST

ELECTRICAL PARTLIST

No	12NC No.	Description	Q'ty
15	996510034422	ASSY-MAIN BOARD	1
21	996510031267	ASSY-SW BOARD	1
6	996510031273	ASSY-FE BOARD	1
△ 11	996510031266	ASSY-PW BD	1
20	996510034417	ASA BOARD	1
OPU	996510031268	OPU	1

ASSY-MAIN BD COMPONENT PARTLIST

NO	12NC NO.	Description	Q'ty
D300	996510026638	4-CHANNEL ESD SOLUTION	1
D301	996510026638	4-CHANNEL ESD SOLUTION	1
D5	996510020926	IC PPSD5V0S1BA	1
D6	996510020926	IC PPSD5V0S1BA	1
D7	996510020926	IC PPSD5V0S1BA	1
D8	996510020926	IC PPSD5V0S1BA	1
FU5	996510032919	SPINDLE MOTOR & ACTUATOR	1
FU6	996510032911	IC CW1117	1
TVS3	996510026617	IC PGB1010603	1
TVS4	996510026617	IC PGB1010603	1
U100	996510034419	IC MT8530 BD DECODE	1
U101	996510032917	64X16MB DDR2 SDRAM	1
U102	996510032917	64X16MB DDR2 SDRAM	1
U103	996510032912	REGULATOR G2992B	1
U2	996510032951	IC AZ1117 LDO 3.3V-1.2V	1
U201	996510032918	IC NY512M DDR2 1066MHZ	1
U202	996510032918	IC NY512M DDR2 1066MHZ	1
U351	996510034421	IC 2GB NAND FLASH BDP5100/98	1
U352	996510032943	IC TPS652 PWR MANAGEMENT	1
U4	996510031778	IC 3.3V	1
U5	996510026642	IC G691L2	1
U6	996510010924	Dual operational amplifier	1
U701	996510032913	IC SMSC8710 HSSOP	1
U703	996510032929	MOTOR DRIVER IC TP1391	1
U914	996510026625	IC 78L050	1
U915	996510026652	IC 4385DA DAC	1

ASSY-FE BD COMPONENT PARTLIST

NO	12NC NO.	Description	Q'ty
IR1	996510026624	IR RECEIVER MODULE2.7-5.5V12mm	1
U4	996500026619	VFD DRIVER IC CS16312EN	1
VFD3	996510026633	VFD DISPLAY	1

ASSY-PW BD COMPONENT PARTLIST

NO	12NC NO.	Description	Q'ty
D501	996510011047	DIODE IN4007	1
D502	996510013568	DIODE FR107	1
D503	996500025702	DIODE SR3100	1
D504	996510013568	DIODE FR107	1
D505	996510009725	DIODE 2A1000V	1
D506	996510009725	DIODE 2A1000V	1
D507	996510009725	DIODE 2A1000V	1
D508	996510009725	DIODE 2A1000V	1
D509	996500027866	DIODE SR360 3A/60V	1
D510	996500027866	DIODE SR360 3A/60V	1
D511	996510002996	DIODE 1N4148 (SWITCHING)	1
L6	996510032944	COIL 3.3UH 6*8MM	1
LF501	996510026639	COMMON INDUCTANCE	1
△ T501	996510030215	TRANSFORMER (BCK-03EF25)	1
U501	996510030211	PWM IC NCP1271B	1
U502	996500024838	PC123X9YFZ	1
U503	996510032928	IC TL431A	1
U505	996510032914	POSITIVE VOLTAGE REGULATORS	1
ZD501	996510007898	DIODE ZENER 24V 1/2W 5%	1
ZD502	996500015716	DIODE ZENER 33V 1/2W 5%	1
ZD503	996510007898	DIODE ZENER 24V 1/2W 5%	1
ZD504	996510032942	DIODE ZENER BZX79-C11 11V _i ±5%	1

MECHANICAL PARTLIST

No	12NC No.	Description	Q'ty
14	996510034423	BACK PLATE	1
18	996510031557	TOP COVER	1
9	996510031272	BOTTOM PLATE	1
ASSY2	996510031558	ASSY FRONT DOOR	1
AVCABLE	996500020384	AUDIO/VIDEO CABLE 1	1
Assy1	996510031573	ASSY FRONT PANEL	1
CN504	996510000546	8PIN HS	1
J300	996510018621	HDMI Cable	1
JP1	996510025834	CABLE 5P 130MM FH-JC20	1
JP2	996510032945	8PIN LINE	1
JP3	996510031263	FLAT WIRE 3P L200 PH-3Y/SAN-3P	1
JP4	996510032946	4PIN CABLE	1
△ PC	996510034418	POWER CORD	1
RC	996510041223	REMOTE CONTROL	1
XP3	996510031379	8PIN WIRE PH1.0MM L100MM B	1

Screws List

No	12NC No.	Description	Q'ty
8	—	S/T SCREW B 2.6 X 6 BF	6
10	—	TRIANGLE M/C SCREW B 3 X 6	6
12	—	S/T SCREW B 3 X 8 BF	4
13	—	M/C SCREW 3 X 6 B	1
16	—	S/T SCREW B3 X 6 BF	7
17	—	S/T SCREW B3 X 6 BF	2
19	—	S/T SCREW B 3 X 7 BF	4

BDP3080/98 SERVICE PARTLIST

ELECTRICAL PARTLIST

No	12NC NO.	Description	Qty
14	996510034416	ASSY-MAIN BOARD	1
20	996510031267	ASSY-SW BOARD	1
5	996510031273	ASSY-FE BOARD	1
△ 10	996510031266	ASSY-PW BD	1
19	996510034417	ASA BOARD P021-C	1
OPU	996510031268	OPU	1

ASSY-MAIN BD COMPONENT PARTLIST

NO	12NC NO.	Description	Qty
D300	996510026638	4-CHANNEL ESD SOLUTION	1
D301	996510026638	4-CHANNEL ESD SOLUTION	1
D5	996510020926	IC PDS5V0S1BA	1
D6	996510020926	IC PDS5V0S1BA	1
D7	996510020926	IC PDS5V0S1BA	1
D8	996510020926	IC PDS5V0S1BA	1
FU5	996510032919	SPINDLE MOTOR & ACTUATOR	1
FU6	996510032911	IC CW1117	1
TVS3	996510026617	IC PGB1010603	1
TVS4	996510026617	IC PGB1010603	1
U100	996510032915	BD DECODE IC MT8530	1
U101	996510032917	64X16MB DDR2 SDRAM	1
U102	996510032917	64X16MB DDR2 SDRAM	1
U103	996510032912	REGULATOR G2992B	1
U2	996510032951	IC AZ1117 LDO 3.3V-1.2V	1
U201	996510032918	IC NY512M DDR2 1066MHZ	1
U202	996510032918	IC NY512M DDR2 1066MHZ	1
U351	996510034415	IC 2GB NAND FLASH BDP3080/98	1
U352	996510032943	IC TPS652 PWR MANAGEMENT	1
U4	996510031778	IC 3.3V	1
U5	996510026642	IC G691L2	1
U6	996510010924	Dual operational amplifier	1
U701	996510032913	IC SMSC8710 HSSOP	1
U703	996510032929	MOTOR DRIVER IC TP1391	1
U914	996510026625	IC 78L050	1
U915	996510026652	IC 4385DA DAC	1

ASSY-FE BD COMPONENT PARTLIST

NO	12NC NO.	Description	Qty
IR1	996510026624	IR RECEIVER MODULE2.7-5.5V12mm	1
U4	996500026619	VFD DRIVER IC CS16312EN	1
VFD3	996510026633	VFD DISPLAY	1

ASSY-PW BD COMPONENT PARTLIST

NO	12NC NO.	Description	Qty
D501	996510011047	DIODE IN4007	1
D502	996510013568	DIODE FR107	1
D503	996500025702	DIODE SR3100	1
D504	996510013568	DIODE FR107	1
D505	996510009725	DIODE 2A1000V	1
D506	996510009725	DIODE 2A1000V	1
D507	996510009725	DIODE 2A1000V	1
D508	996510009725	DIODE 2A1000V	1
D509	996500027866	DIODE SR360 3A/60V	1
D510	996500027866	DIODE SR360 3A/60V	1
D511	996510002996	DIODE 1N4148 (SWITCHING)	1
L6	996510032944	COIL 3.3UH 6*8MM	1
LF501	996510026639	COMMON INDUCTANCE	1
△ T501	996510030215	TRANSFORMER (BCK-03EF25)	1
U501	996510030211	PWM IC NCP1271B	1
U502	996500024838	PC123X9YFZ	1
U503	996510032928	IC TL431A	1
U505	996510032914	POSITIVE VOLTAGE REGULATORS	1
ZD501	996510007898	DIODE ZENER 24V 1/2W 5%	1
ZD502	996500015716	DIODE ZENER 33V 1/2W 5%	1
ZD503	996510007898	DIODE ZENER 24V 1/2W 5%	1
ZD504	996510032942	DIODE ZENER BZX79-C11 11V _i ±5%	1

MECHANICAL PARTLIST

No	12NC No.	Description	Qty
13	996510032953	BACK PLATE	1
17	996510031271	TOP COVER	1
8	996510031272	BOTTOM PLATE	1
ASSY1	996510031265	ASSY-FRONT PANEL	1
△ AVCABLE	996500020384	AUDIO/VIDEO CABLE 1	1
CN504	996510000546	8PIN HS	1
JP1	996510025834	CABLE 5P 130MM FH-JC20	1
JP2	996510032945	8PIN LINE	1
JP3	996510031263	FLAT WIRE 3P L200 PH-3Y/SAN-3P	1
JP4	996510032946	4PIN CABLE	1
△ PC	996510034418	POWER CORD	1
RC	996510041223	REMOTE CONTROL	1
XP3	996510031379	8PIN WIRE PH1.0MM L100MM B	1

Screws List

No	12NC No.	Description	Qty
8	—	S/T SCREW B 2.6 X 6 BF	6
10	—	TRIANGLE M/C SCREW B 3 X 6	6
12	—	S/T SCREW B 3 X 8 BF	4
13	—	M/C SCREW 3 X 6 B	1
16	—	S/T SCREW B3 X 6 BF	7
17	—	S/T SCREW B3 X 6 BF	2
19	—	S/T SCREW B 3 X 7 BF	4

BDP5100/05 SERVICE PARTLIST

ELECTRICAL PARTLIST

No	12NC No.	Description	Q'ty
15	996510036394	ASSY-MAIN BOARD	1
21	996510031267	ASSY-SW BOARD	1
6	996510031273	ASSY-FE BOARD	1
△ 11	996510031266	ASSY-PW BD	1
20	996510034417	ASA BOARD	1

ASSY-MAIN BD COMPONENT PARTLIST

NO	12NC NO.	Description	Q'ty
D300	996510026638	4-CHANNEL ESD SOLUTION	1
D301	996510026638	4-CHANNEL ESD SOLUTION	1
D5	996510020926	IC PPS5V0S1BA	1
D6	996510020926	IC PPS5V0S1BA	1
D7	996510020926	IC PPS5V0S1BA	1
D8	996510020926	IC PPS5V0S1BA	1
FU5	996510032919	SPINDLE MOTOR & ACTUATOR	1
FU6	996510032911	IC CW1117	1
TVS3	996510026617	IC PGB1010603	1
TVS4	996510026617	IC PGB1010603	1
U100	996510034419	IC MT8530 BD DECODE	1
U101	996510032917	64X16MB DDR2 SDRAM	1
U102	996510032917	64X16MB DDR2 SDRAM	1
U103	996510032912	REGULATOR G2992B	1
U2	996510032951	IC AZ1117 LDO 3.3V-1.2V	1
U201	996510032918	IC NY512M DDR2 1066MHZ	1
U202	996510032918	IC NY512M DDR2 1066MHZ	1
U351	996510032916	2GB NAND FLASH	1
U352	996510032943	IC TPS652 PWR MANAGEMENT	1
U4	996510031778	IC 3.3V	1
U5	996510026642	IC G691L2	1
U6	996510010924	Dual operational amplifier	1
U701	996510032913	IC SMSC8710 HSSOP	1
U703	996510032929	MOTOR DRIVER IC TP1391	1
U914	996510026625	IC 78L050	1
U915	996510026652	IC 4385DA DAC	1

ASSY-FE BD COMPONENT PARTLIST

NO	12NC NO.	Description	Q'ty
IR1	996510026624	IR RECEIVER MODULE2.7-5.5V12mm	1
U4	996500026619	VFD DRIVER IC CS16312EN	1
VFD3	996510026633	VFD DISPLAY	1

ASSY-PW BD COMPONENT PARTLIST

NO	12NC NO.	Description	Q'ty
D501	996510011047	DIODE IN4007	1
D502	996510013568	DIODE FR107	1
D503	996500025702	DIODE SR3100	1
D504	996510013568	DIODE FR107	1
D505	996510009725	DIODE 2A1000V	1
D506	996510009725	DIODE 2A1000V	1
D507	996510009725	DIODE 2A1000V	1
D508	996510009725	DIODE 2A1000V	1
D509	996500027866	DIODE SR360 3A/60V	1
D510	996500027866	DIODE SR360 3A/60V	1
D511	996510002996	DIODE 1N4148 (SWITCHING)	1
L6	996510032944	COIL 3.3UH 6*8MM	1
LF501	996510026639	COMMON INDUCTANCE	1
△ T501	996510030215	TRANSFORMER (BCK-03EF25)	1
U501	996510030211	PWM IC NCP1271B	1
U502	996500024838	PC123X9YFZ	1
U503	996510032928	IC TL431A	1
U505	996510032914	POSITIVE VOLTAGE REGULATORS	1
ZD501	996510007898	DIODE ZENER 24V 1/2W 5%	1
ZD502	996500015716	DIODE ZENER 33V 1/2W 5%	1
ZD503	996510007898	DIODE ZENER 24V 1/2W 5%	1
ZD504	996510032942	DIODE ZENER BZX79-C11 11V _J 5%	1


MECHANICAL PARTLIST

No	12NC No.	Description	Q'ty
14	996510031556	BACK PLATE	1
18	996510031557	TOP COVER	1
9	996510031272	BOTTOM PLATE	1
ASSY2	996510031558	ASSY FRONT DOOR	1
AVCBL	996500020384	AUDIO/VIDEO CABLE 1	1
Assy1	996510031573	ASSY FRONT PANEL	1
CN504	996510000546	8PIN HS	1
△ JP1	996510025834	HDMI Cable	1
JP2	996510032945	CABLE 5P 130MM FH-JC20	1
JP3	996510031263	8PIN LINE	1
JP4	996510032946	FLAT WIRE 3P L200 PH-3Y/SAN-3P	1
PCORD	996510036395	POWER CORD	1
△ RC	996510041223	REMOTE CONTROL	1
XP3	996510031379	8PIN WIRE PH1.0MM L100MM B	1

Screws List

No	12NC No.	Description	Q'ty
8	—	S/T SCREW B 2.6 X 6 BF	6
10	—	TRIANGLE M/C SCREW B 3 X 6	6
12	—	S/T SCREW B 3 X 8 BF	4
13	—	M/C SCREW 3 X 6 B	1
16	—	S/T SCREW B3 X 6 BF	7
17	—	S/T SCREW B3 X 6 BF	2
19	—	S/T SCREW B 3 X 7 BF	4

PARTS LIST: BDP5100/51

No.	12NC No.	Description	Q'ty
 11	996510031266	ASSY-POWER BOARD	1
14	996510037139	BACK PLATE	1
15	996510037141	ASSY-MAIN BOARD /51	1
18	996510037134	TOP COVER	1
20	996510034417	BLU-RAY OPU	1
21	996510031267	ASSY-SWITCH BOARD	1
6	996510031273	ASSY-FE BD	1
9	996510031272	BOTTOM PLATE	1
ASSY2	996510031558	ASSY FRONT DOOR	1
AVCABLE	996500020384	AUDIO/VIDEO CABLE 1.5M	1
Assy1	996510031573	ASSY FRONT PANEL	1
CN504	996510000546	8PIN HS	1
JP1	996510025834	CABLE 5P 130MM FH-JC20	1
JP2	996510032945	CABLE 9PIN 140MM FH-JC20	1
JP3	996510031263	FLAT WIRE 3P L200 PH-3Y/SAN-3P	1
JP4	996510032946	4PIN CABLE L200MM	1
AC	996510036469	EU DETACHABLE POWER CORD 1.5M	1
RC	996510041223	REMOTE CONTROL	1
XP3	996510031379	8PIN WIRE PH1.0MM L100MM B	1

Screws List

No	12NC No.	Description	Q'ty
7	—	S/T SCREW B 2.6 X 6 BF	7
9	—	S/T SCREW	6
11/16	—	S/T SCREW B 3 X 8 BF	3/2
12	—	M/C SCREW 3 X 6 B	1
15	—	S/T SCREW B3 X 6 BF	9
18	—	S/T SCREW B 3 X 7 BF	4

SAFETY PRECAUTION

The parts identified by  mark are critical for safety. Replace only with part number specified.

The mounting position of replacement is to be identical with originals. The substitute replacement parts which do not have the same safety characteristics as specified in the parts list may create shock, fire or other hazards.

REVISION LIST

Version 1.0

* Initial release for BDP3100/12, BDP3100/05 & BDP3100/51

Version 1.1

* BDP5100/12 added.

Version 1.2

* Added BDP3100/55,3100/93,3100/98,3100X/78

Version 1.3

* Added BDP3080/98

Version 1.4

* Added BDP5100/05 & /51

Version 1.5

* Page 7-3 Partslist updated.

Change:

14 996510031443 MAIN BOARD ASS'Y (WAS 996510031262)